

# OSMEVK\_ADAP\_MSRZG3S 1.0

## Table of Content

Sheet #	Description
1	TITLE PAGE AND REVISION HISTORY
2	CONNECTOR TOP
3	CONNECTOR BOTTOM
4	POWER/SYSTEM
5	ETHERNET
6	MISC
7	I2C/SPI/I2S/SDIO
8	UART/USB/CAN
9	CSI/DISPLAY
10	GPIO/PWM/ADC/JTAG

## Revision History

Revision	Date	Changes
1.0	16.05.2024	Initial release

OSMEVK\_ADAP\_MSRZG3S

Sheet: TITLE PAGE

Variant: ASM\_1

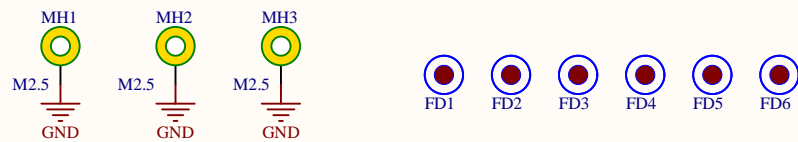
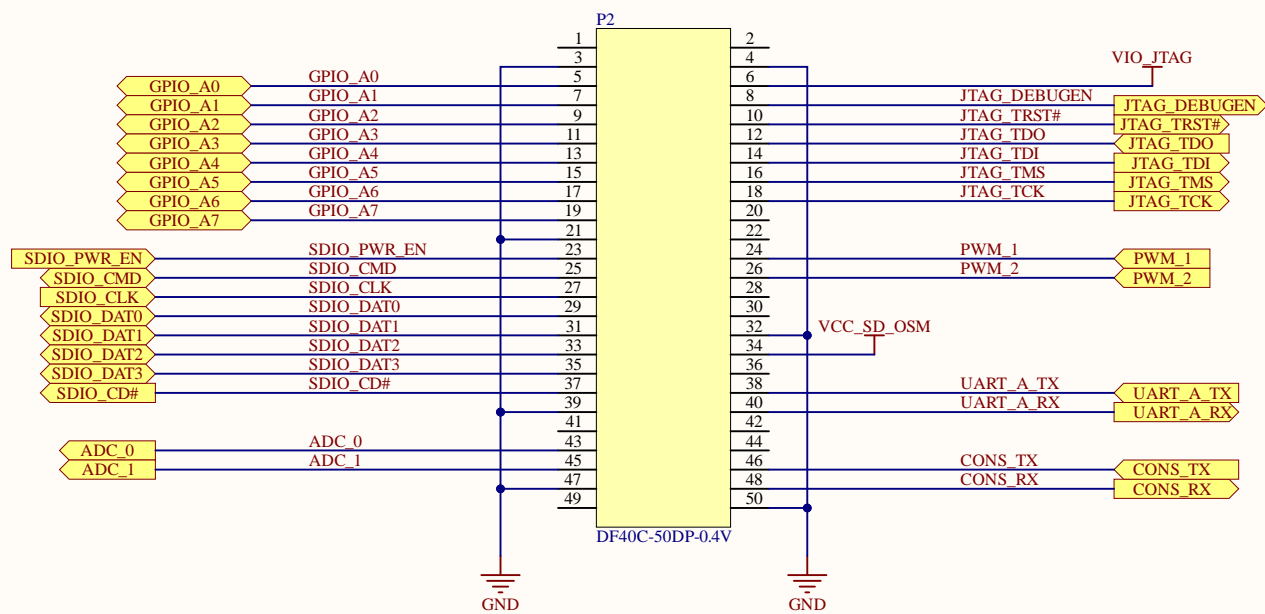
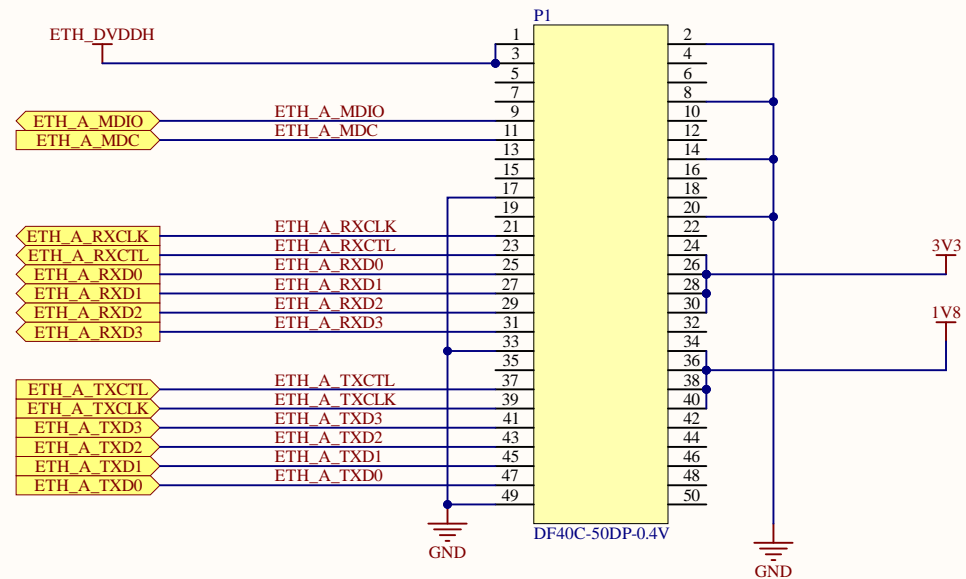
Number 1

Revision: 1.0 Sheet 1 of 10

Date: 16.05.2024



aries embedded GmbH  
Schöngeisinger Straße 84  
D-82256 Fürstenfeldbruck  
Tel. +49 (0)8141 36367-0  
web: www.aries-embedded.de



**OSMEVK\_ADAP\_MSRZG3S**

Sheet: CONNECTOR TOP

Variant: ASM\_1

Number 2

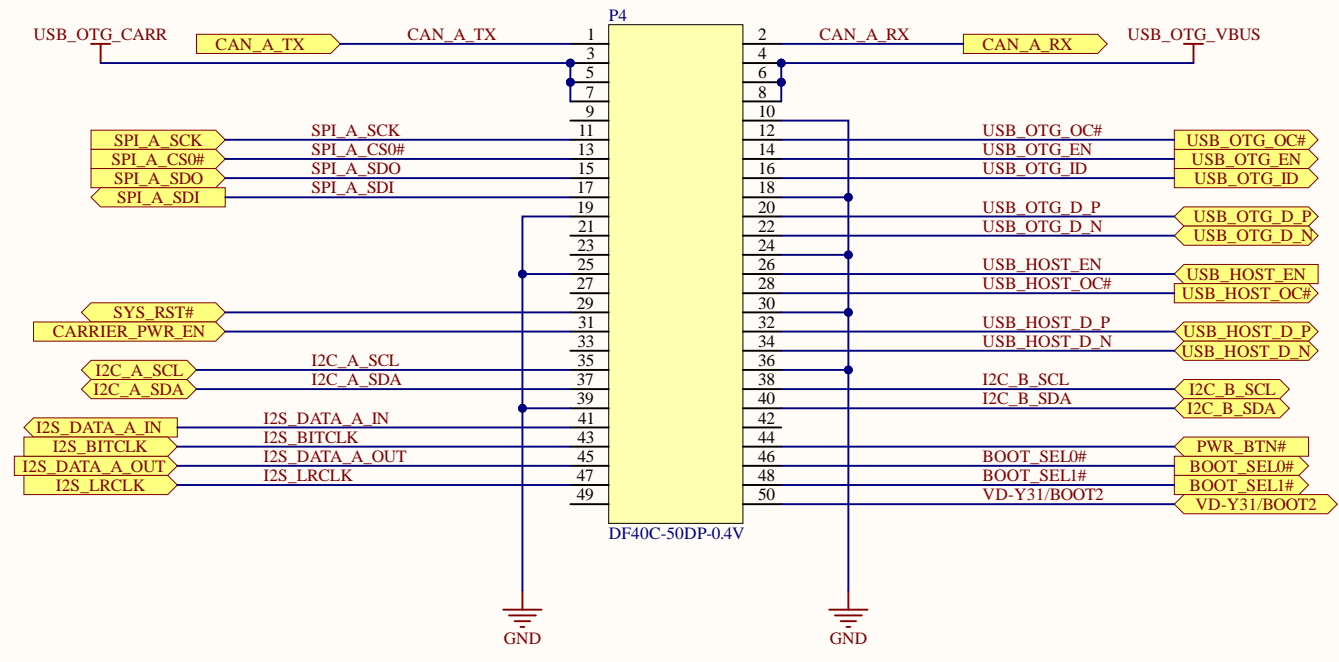
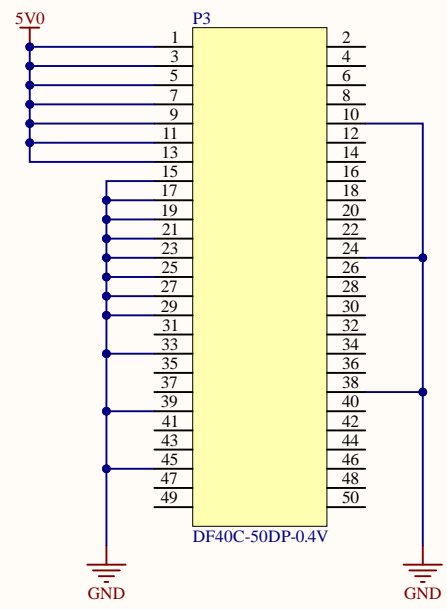
Revision: 1.0

Sheet 2 of 10

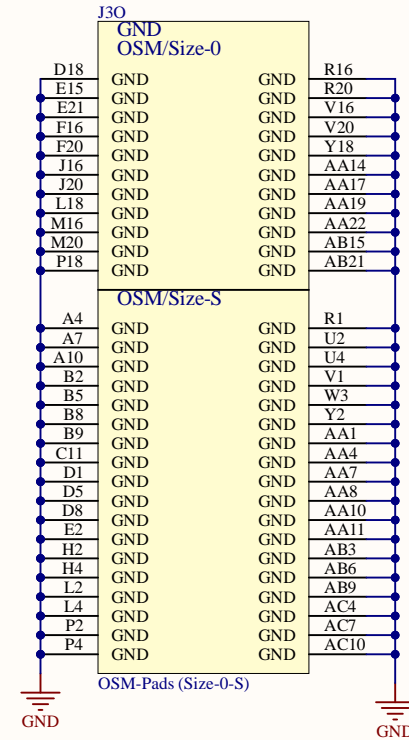
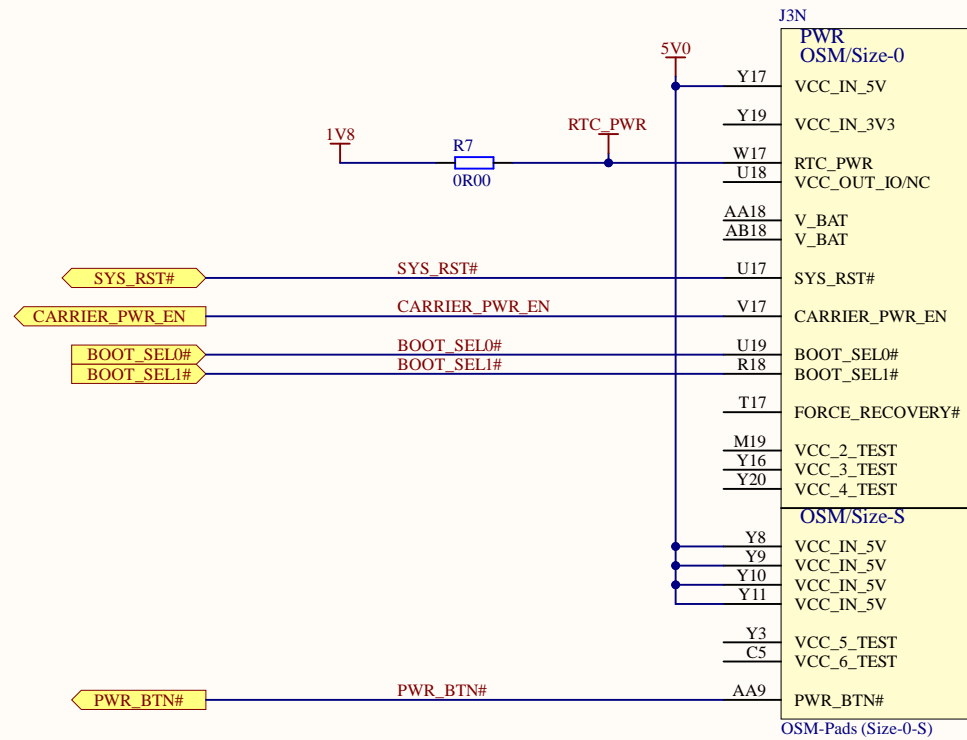
Date: 16.05.2024



aries embedded GmbH  
 Schöngesinger Straße 84  
 D-82256 Fürstenfeldbruck  
 Tel. +49 (0)8141 36367-0  
 web: www.aries-embedded.de



# POWER/SYSTEM



**OSMEVK\_ADAP\_MSRZG3S**

Sheet: POWER/SYSTEM

Variant: ASM\_1

Number 4

Revision: 1.0

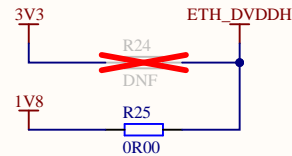
Sheet 4 of 10

Date: 16.05.2024



aries embedded GmbH  
 Schöngesinger Straße 84  
 D-82256 Fürstenfeldbruck  
 Tel. +49 (0)8141 36367-0  
 web: www.aries-embedded.de

# ETHERNET



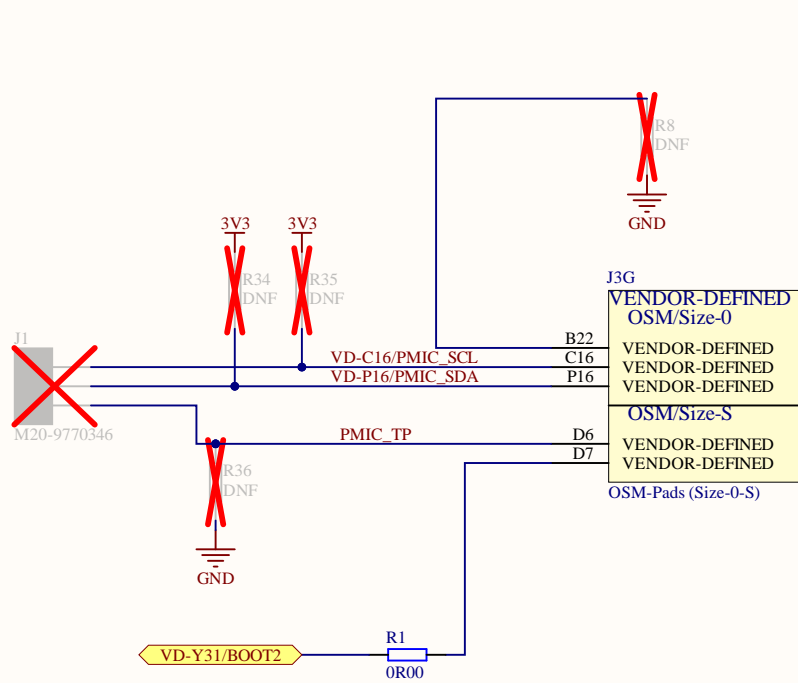
J3A		ETHERNET OSM/Size-0
ETH_A_TXCLK	ETH_A_TXCLK	J15 ETH_A(R)(G)MII_TX_CLK
ETH_A_TXD0	ETH_A_TXD0	H15 ETH_A(S)(R)(G)MII_TXD0
ETH_A_TXD1	ETH_A_TXD1	G15 ETH_A(S)(R)(G)MII_TXD1
ETH_A_TXD2	ETH_A_TXD2	H16 ETH_A(S)(R)(G)MII_TXD2
ETH_A_TXD3	ETH_A_TXD3	G16 ETH_A(S)(R)(G)MII_TXD3
ETH_A_TXCTL	ETH_A_TXCTL	K16 ETH_A(R)(G)MII_TX_EN(ER)
ETH_A_RXCLK	ETH_A_RXCLK	R15 ETH_A(R)(G)MII_RX_CLK
ETH_A_RXD0	ETH_A_RXD0	K15 ETH_A(S)(R)(G)MII_RXD0
ETH_A_RXD1	ETH_A_RXD1	L15 ETH_A(S)(R)(G)MII_RXD1
ETH_A_RXD2	ETH_A_RXD2	N15 ETH_A(R)(G)MII_RXD2
ETH_A_RXD3	ETH_A_RXD3	P15 ETH_A(R)(G)MII_RXD3
ETH_A_RXCTL	ETH_A_RXCTL	L16 ETH_A(R)(G)MII_RX_ER
		M15 ETH_A(R)(G)MII_RX_DV(ER)
		E16 ETH_A(R)(G)MII_CRS
		F15 ETH_A(R)(G)MII_COL
		N16 ETH_A_SDP
ETH_A_MDC	ETH_A_MDC	T16 ETH_MDC
ETH_A_MDIO	ETH_A_MDIO	T15 ETH_MDIO
		M17 ETH_IOPWR
		OSM/Size-S
		H1 ETH_B(R)(G)MII_TX_CLK
		G1 ETH_B(S)(R)(G)MII_TXD0
		F1 ETH_B(S)(R)(G)MII_TXD1
		G2 ETH_B(S)(R)(G)MII_TXD2
		F2 ETH_B(S)(R)(G)MII_TXD3
		J2 ETH_B(R)(G)MII_TX_EN(ER)
		P1 ETH_B(R)(G)MII_RX_CLK
		J1 ETH_B(S)(R)(G)MII_RXD0
		K1 ETH_B(S)(R)(G)MII_RXD1
		M1 ETH_B(R)(G)MII_RXD2
		N1 ETH_B(R)(G)MII_RXD3
		K2 ETH_B(R)(G)MII_RX_ER
		L1 ETH_B(R)(G)MII_RX_DV(ER)
		D2 ETH_B(R)(G)MII_CRS
		E1 ETH_B(R)(G)MII_COL
		M2 ETH_B_SDP
		C6 ETH_B_MDC
		C7 ETH_B_MDIO

OSM-Pads (Size-0-S)

<b>OSMEVK_ADAP_MSRZG3S</b>	
Sheet:	ETHERNET
Variant:	ASM_1
Number:	5
Revision:	1.0
Date:	16.05.2024
Sheet:	5 of 10

aries embedded GmbH  
 Schöngesinger Straße 84  
 D-82256 Fürstenfeldbruck  
 Tel. +49 (0)8141 36367-0  
 web: www.aries-embedded.de

# VENDOR DEFINED



**J3M**  
PCle  
OSM/Size-S

AB1	PCle_A_HSI0_P
AB2	PCle_A_HSI0_N
AC2	PCle_A_HSO0_P
AC3	PCle_A_HSO0_N
V2	PCle_A_PERST#
W2	PCle_CLKREQ#
W1	PCle_REFCLK_P
Y1	PCle_REFCLK_N
T2	PCle_WAKE#
U1	PCle_SMDAT
T1	PCle_SMCLK
R2	PCle_SM_ALERT#

OSM-Pads (Size-0-S)

**J3P**  
RESERVED  
OSM/Size-0

T18	RESERVED
T19	RESERVED
Y13	RESERVED
Y14	RESERVED
AA13	RESERVED
N2	RESERVED
AA2	RESERVED

OSM-Pads (Size-0-S)

**J3H**  
COM  
OSM/Size-0

A15	COM_AREA_01
A16	COM_AREA_02
A17	COM_AREA_03
A18	COM_AREA_04
A19	COM_AREA_05
A20	COM_AREA_06
A21	COM_AREA_07
B15	COM_AREA_08
B16	COM_AREA_09
B17	COM_AREA_10
B18	COM_AREA_11
B19	COM_AREA_12
B20	COM_AREA_13
B21	COM_AREA_14
C15	COM_AREA_15
C17	COM_AREA_16
C19	COM_AREA_17
C21	COM_AREA_18

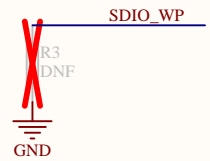
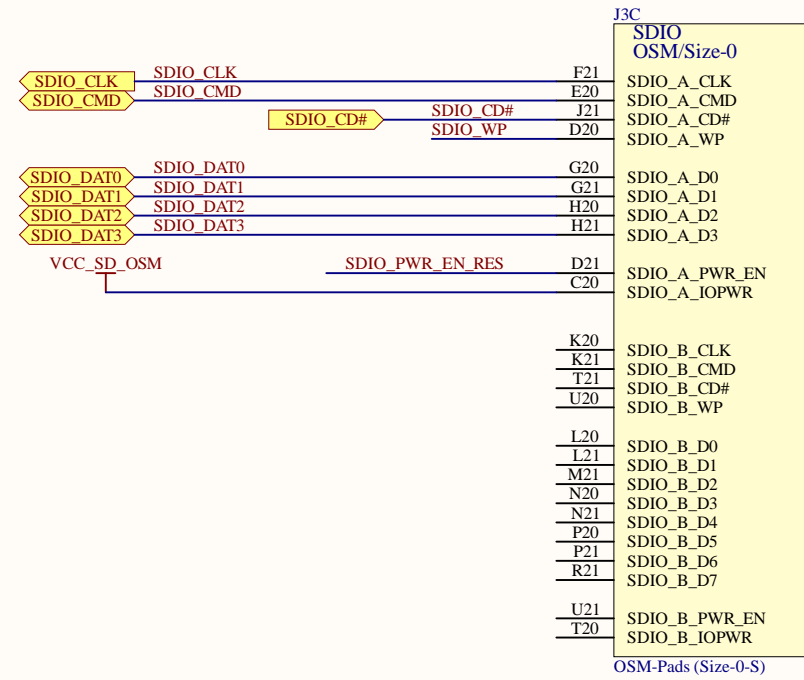
OSM-Pads (Size-0-S)

**OSMEVK\_ADAP\_MSRZG3S**

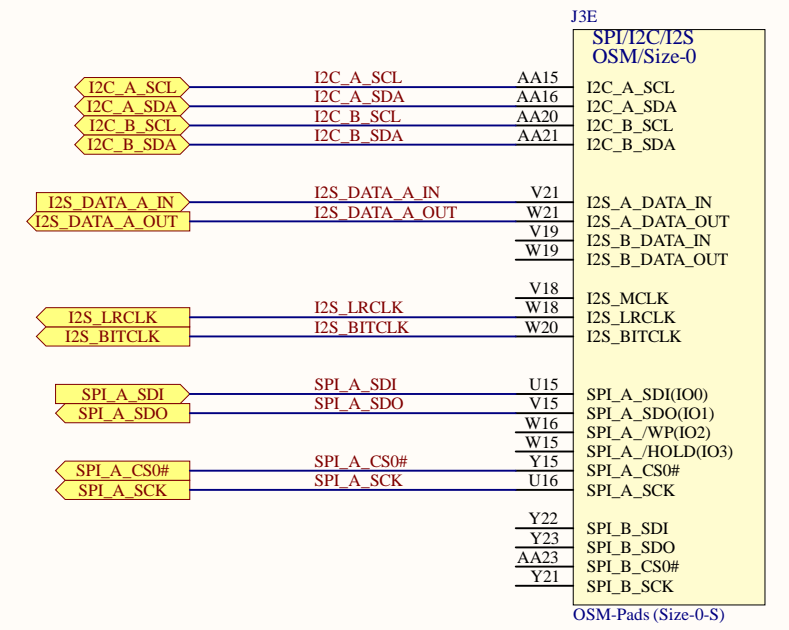
Sheet: MISC  
 Variant: ASM\_1  
 Number 6  
 Revision: 1.0  
 Date: 16.05.2024

aries embedded GmbH  
 Schöngesinger Straße 84  
 D-82256 Fürstenfeldbruck  
 Tel. +49 (0)8141 36367-0  
 web: www.aries-embedded.de

# SDIO



# I2C/I2S/SPI

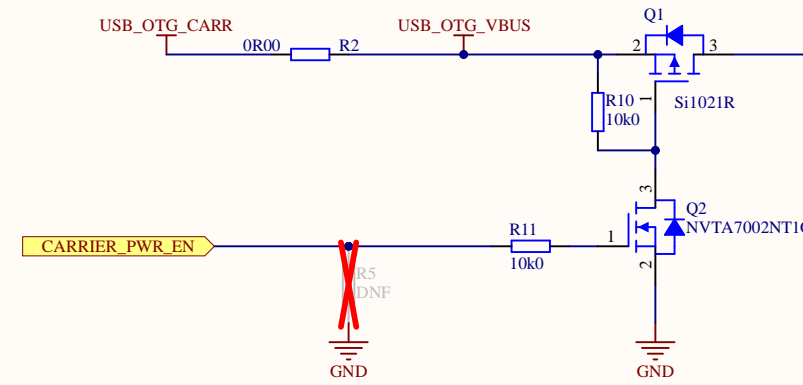


## OSMEVK\_ADAP\_MSRZG3S

Sheet:	I2C/SPI/I2S/SDIO
Variant:	ASM_1
Number	7
Revision:	1.0
Date:	16.05.2024

**aries embedded**  
 aries embedded GmbH  
 Schöngesinger Straße 84  
 D-82256 Fürstenfeldbruck  
 Tel. +49 (0)8141 36367-0  
 web: www.aries-embedded.de

# CAN/USB



CAN/USB OSM/Size-0	
CAN_A_TX	AC17
CAN_A_RX	AB17
CAN_B_TX	AC19
CAN_B_RX	AB19
USB_OTG_D_P	AC14
USB_OTG_D_N	AB13
USB_OTG_EN	AC16
USB_OTG_ID	AB14
USB_OTG_OC#	AC15
USB_OTG_VBUS_MOD	AB16
USB_HOST_D_P	AC22
USB_HOST_D_N	AB23
USB_HOST_EN	AC20
USB_HOST_OC#	AB20
OSM/Size-S	
USB_C_D_P	D10
USB_C_D_N	D11
USB_C_EN	C10
USB_C_ID	D9
USB_C_OC#	C8
USB_C_VBUS	C9
USB_C_SSTX_N	A9
USB_C_SSTX_P	A8
USB_C_SSRX_N	B11
USB_C_SSRX_P	B10

OSM-Pads (Size-0-S)

# UART

UART OSM/Size-0	
CONS_RX	D22
CONS_TX	D23
UART_A_RX	A14
UART_A_TX	B13
UART_A_RTS	C13
UART_A_CTS	C14
UART_B_RX	D14
UART_B_TX	D13
UART_B_RTS	D15
UART_B_CTS	D16
UART_C_RX	A22
UART_C_TX	B23
UART_D_RX	C22
UART_D_TX	C23

OSM-Pads (Size-0-S)

## OSMEVK\_ADAP\_MSRZG3S

Sheet: UART/USB/CAN  
 Variant: ASM\_1  
 Number 8  
 Revision: 1.0  
 Date: 16.05.2024



aries embedded GmbH  
 Schöngesinger Straße 84  
 D-82256 Fürstenfeldbruck  
 Tel. +49 (0)8141 36367-0  
 web: www.aries-embedded.de

# RGB LCD

**J3J**  
RGB-DISPLAY  
OSM/Size-S

Y7	RGB_R0
AA6	RGB_R1
Y6	RGB_R2
AA5	RGB_R3
Y5	RGB_R4
W4	RGB_R5
V3	RGB_G0
V4	RGB_G1
U3	RGB_G2
T3	RGB_G3
T4	RGB_G4
R4	RGB_G5
R3	RGB_B0
P3	RGB_B1
N3	RGB_B2
N4	RGB_B3
M3	RGB_B4
M4	RGB_B5
M4	RGB_CLK
L3	RGB_VSYNC
K3	RGB_HSYNC
K4	RGB_DISP
J4	RGB_DE
J3	RGB_RESET#
H3	RGB_CS#

OSM-Pads (Size-0-S)

# CSI

**J3L**  
MIPI-CSI  
OSM/Size-S

C1	CSI_DATA0_N
B1	CSI_DATA0_P
A2	CSI_DATA1_N
A3	CSI_DATA1_P
A5	CSI_DATA2_N
A6	CSI_DATA2_P
B6	CSI_DATA3_N
B7	CSI_DATA3_P
B3	CSI_CLOCK_N
B4	CSI_CLOCK_P
C2	CAM_MCK
C3	I2C_CAM_SDA/CSI_TX_N
C4	I2C_CAM_SCL/CSI_TX_P

OSM-Pads (Size-0-S)

# DSI

**J3K**  
MIPI-DSI  
OSM/Size-S

AB11	DSI_DATA0_N
AB10	DSI_DATA0_P
AC9	DSI_DATA1_N
AC8	DSI_DATA1_P
AC6	DSI_DATA2_N
AC5	DSI_DATA2_P
AB5	DSI_DATA3_N
AB4	DSI_DATA3_P
AB8	DSI_CLOCK_N
AB7	DSI_CLOCK_P
AA3	DSI_TE

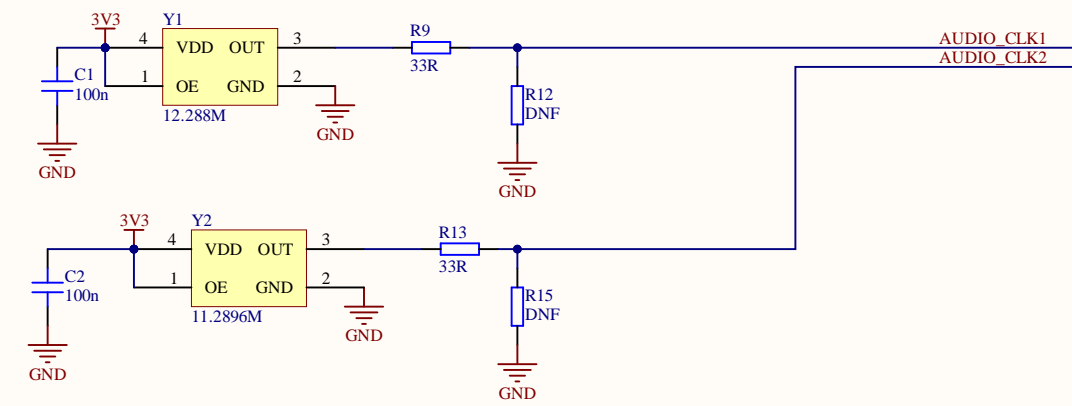
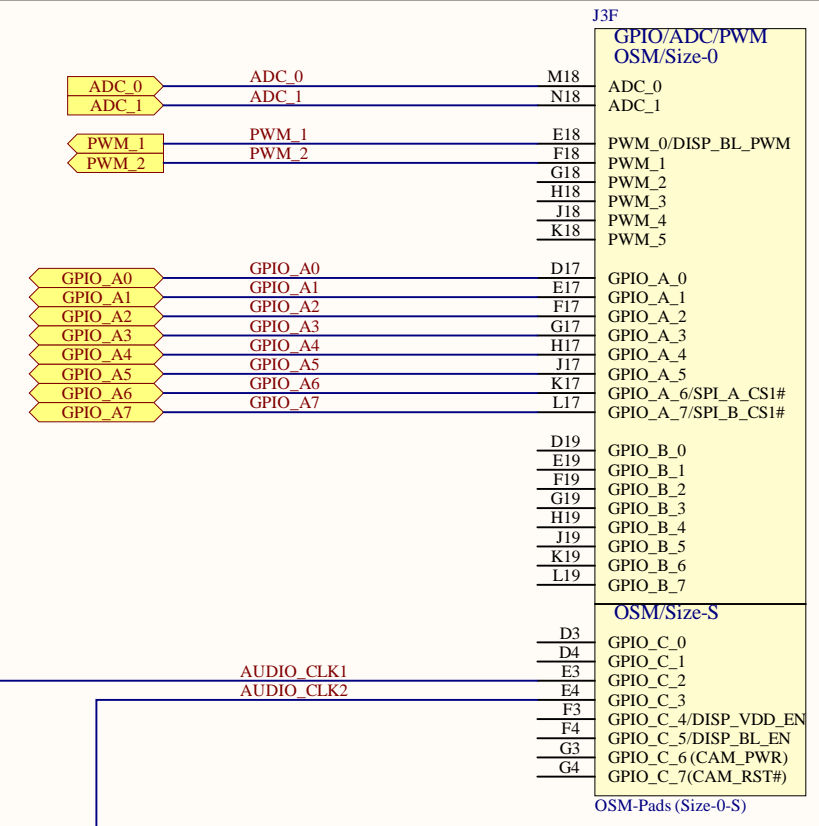
OSM-Pads (Size-0-S)

<b>OSMEVK_ADAP_MSRZG3S</b>	
Sheet:	CSI/DISPLAY
Variant:	ASM_1
Number	9
Revision:	1.0
Date:	16.05.2024
Sheet	9 of 10

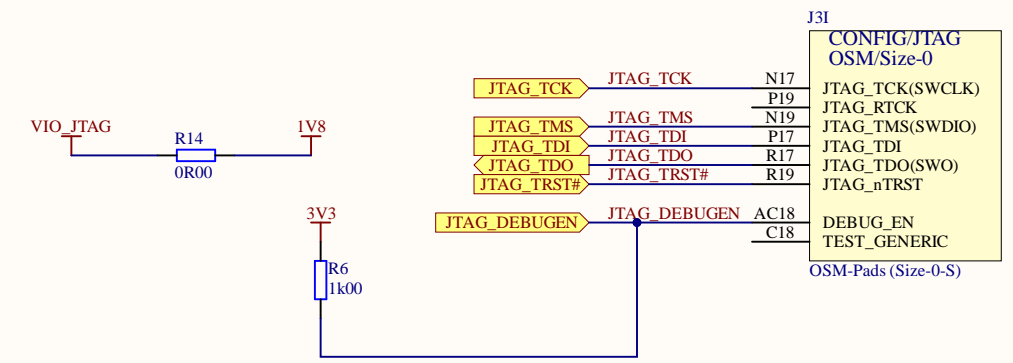


aries embedded GmbH  
Schöngesinger Straße 84  
D-82256 Fürstenfeldbruck  
Tel. +49 (0)8141 36367-0  
web: www.aries-embedded.de

# GPIO/PWM/ADC



# JTAG



<b>OSMEVK_ADAP_MSRZG3S</b>		<p>aries embedded GmbH          Schöngesinger Straße 84          D-82256 Fürstenfeldbruck          Tel. +49 (0)8141 36367-0          web: www.aries-embedded.de</p>
Sheet:	GPIO/PWM/ADC/JTAG	
Variant:	ASM_1	
Number	10	
Revision: 1.0	Sheet 10 of 10	
Date:	16.05.2024	