

G3SBERRY 1.0

Table of Content

Sheet #	Description
1	TITLE PAGE AND REVISION HISTORY
2	OSM PINS 1
3	OSM PINS 2
4	USB POWER DELIVERY
5	DC/DC CONVERSION
6	ETHERNET PHY 1
7	ETHERNET PHY 2
8	USB
9	M.2 CONNECTOR
10	SYSTEM
11	GPIO/PERIPHERALS HEADER
12	JTAG
13	CONSOLE
14	SD CARD

Revision History

Revision	Date	Changes
1.0	28.03.2024	Initial release

G3SBERRY

Sheet: TITLE PAGE AND REVISION HISTORY

Variant: ASM_1

Number 1

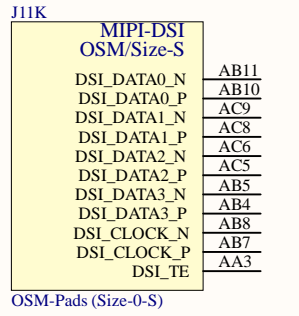
Revision: 1.0 Sheet 1 of 14

Date: 28.03.2024

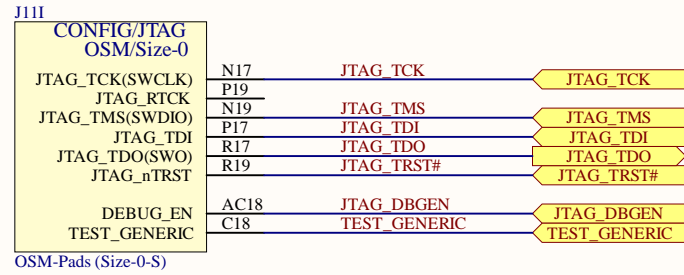


aries embedded GmbH
Schöngesinger Straße 84
D-82256 Fürstenfeldbruck
Tel. +49 (0)8141 36367-0
web: www.aries-embedded.de

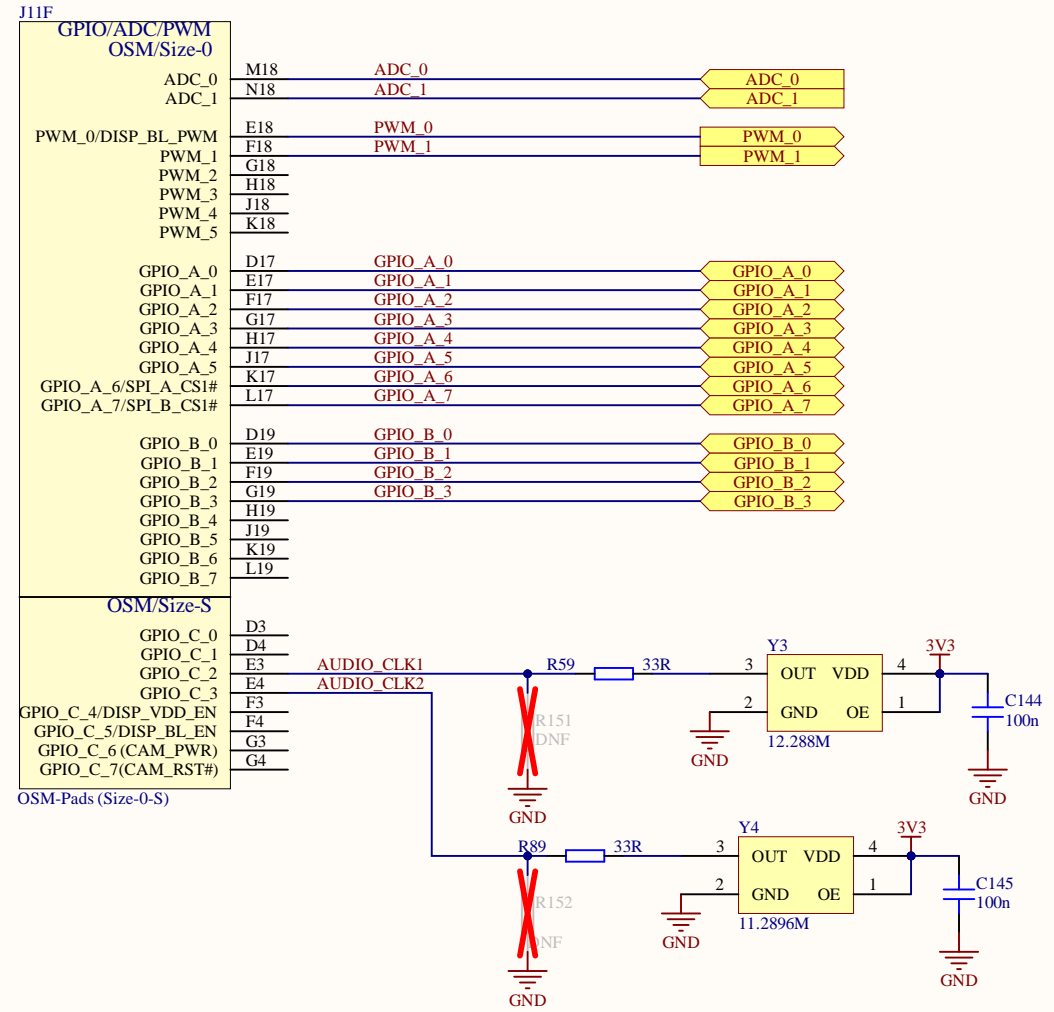
DSI



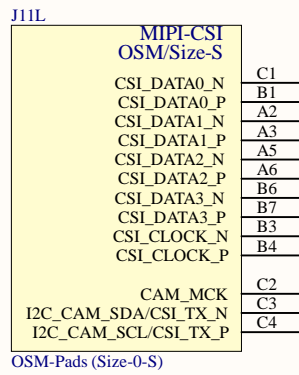
JTAG



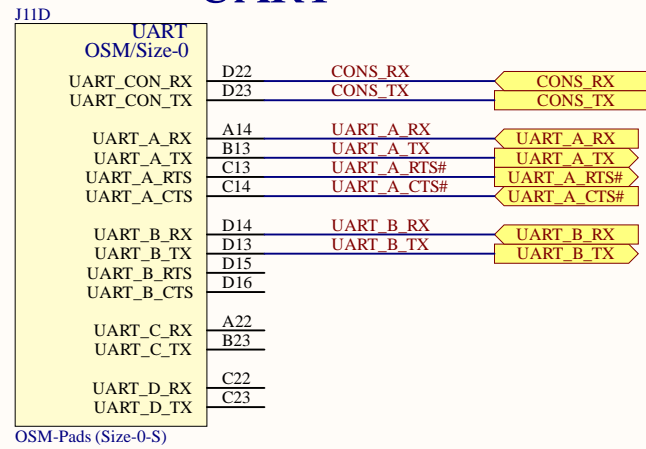
ADC/PWM/GPIO



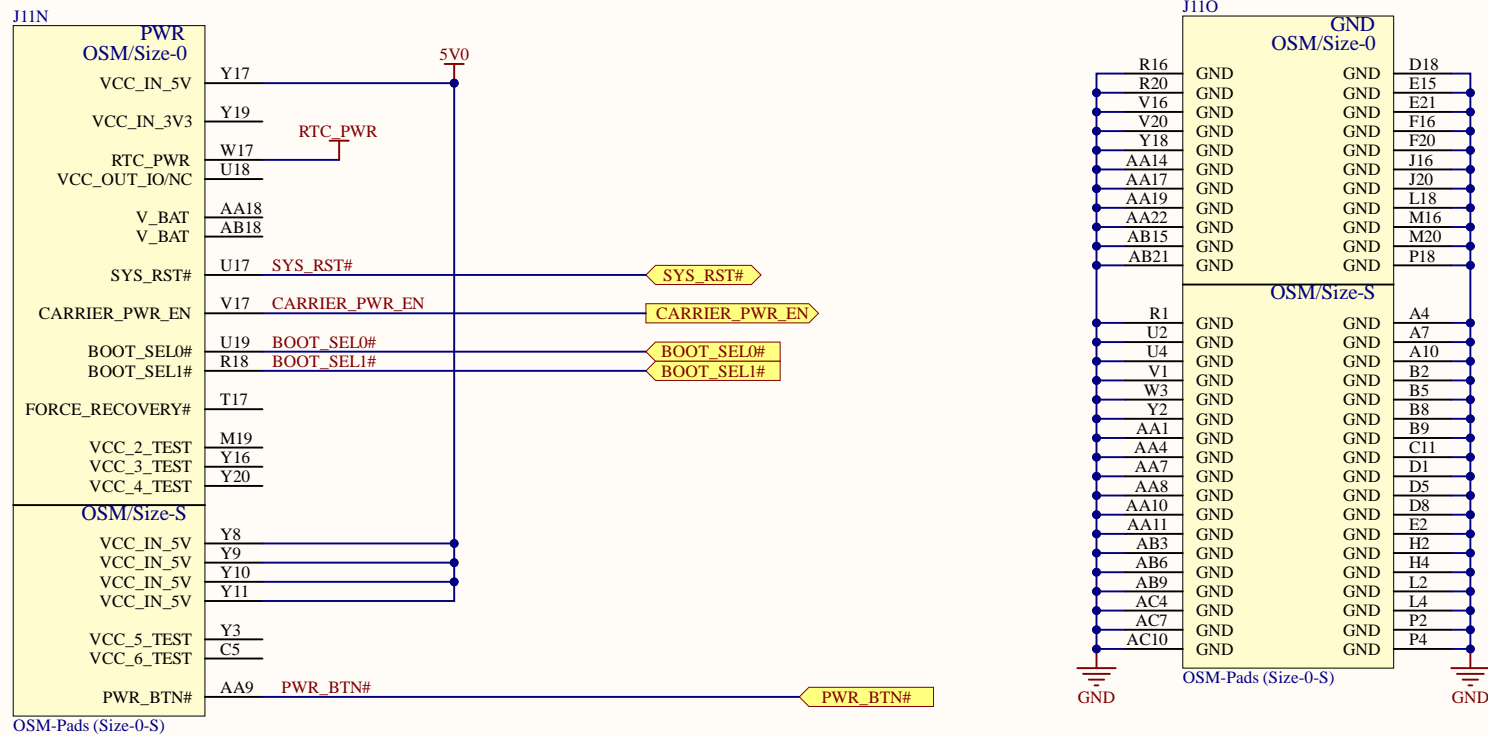
CSI



UART



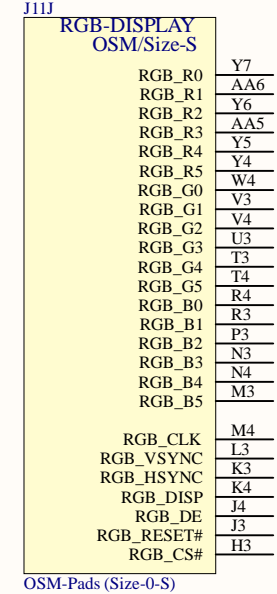
POWER/SYSTEM



COM AREA

RESERVED

RGB



G3SBERRY

Sheet: OSM 1

Variant: ASM_1

Number 2

Revision: 1.0

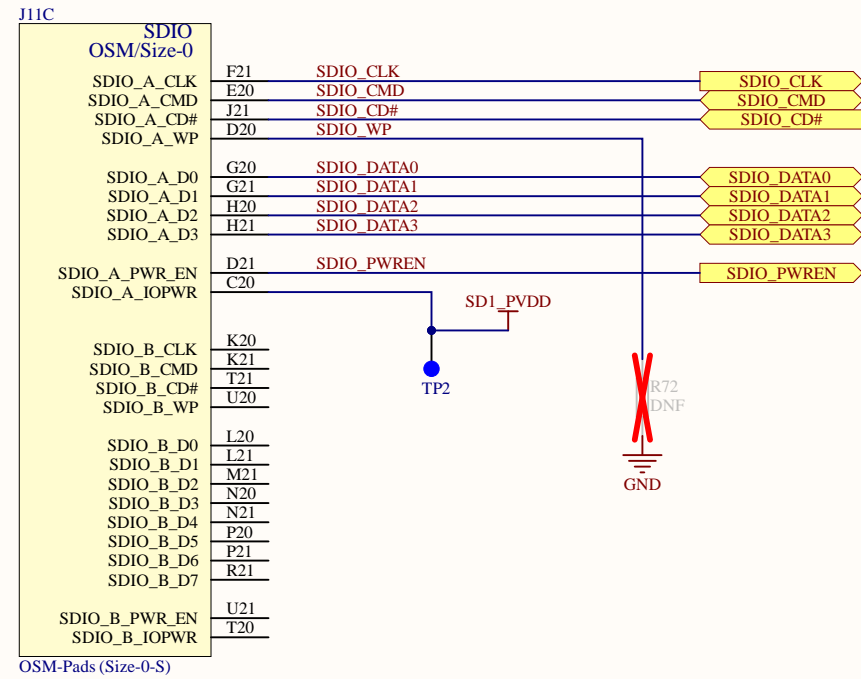
Sheet 2 of 14

Date: 28.03.2024



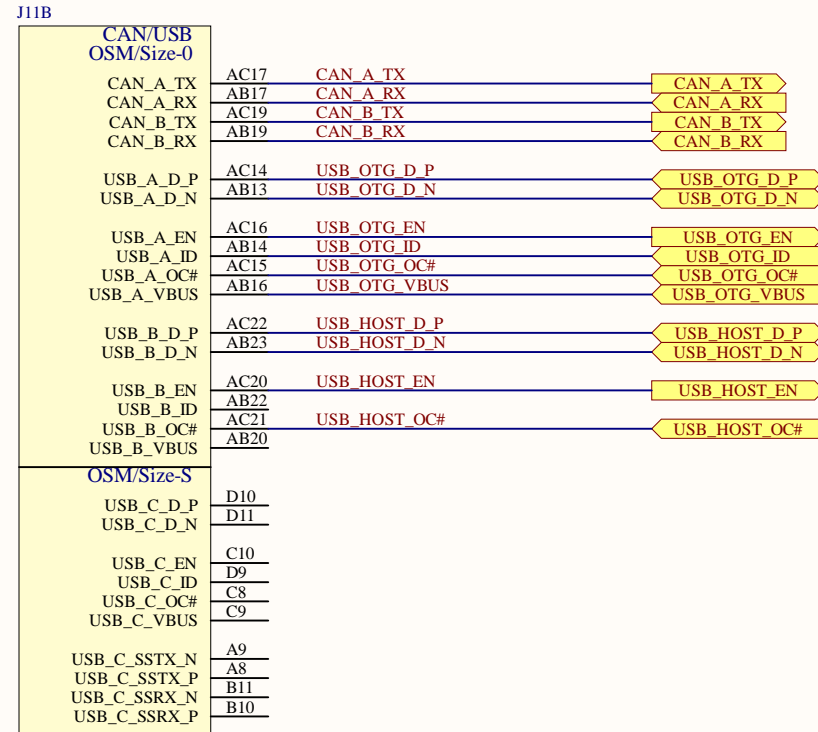
aries embedded GmbH
Schöngesinger Straße 84
D-82256 Fürstenfeldbruck
Tel. +49 (0)8141 36367-0
web: www.aries-embedded.de

SDIO



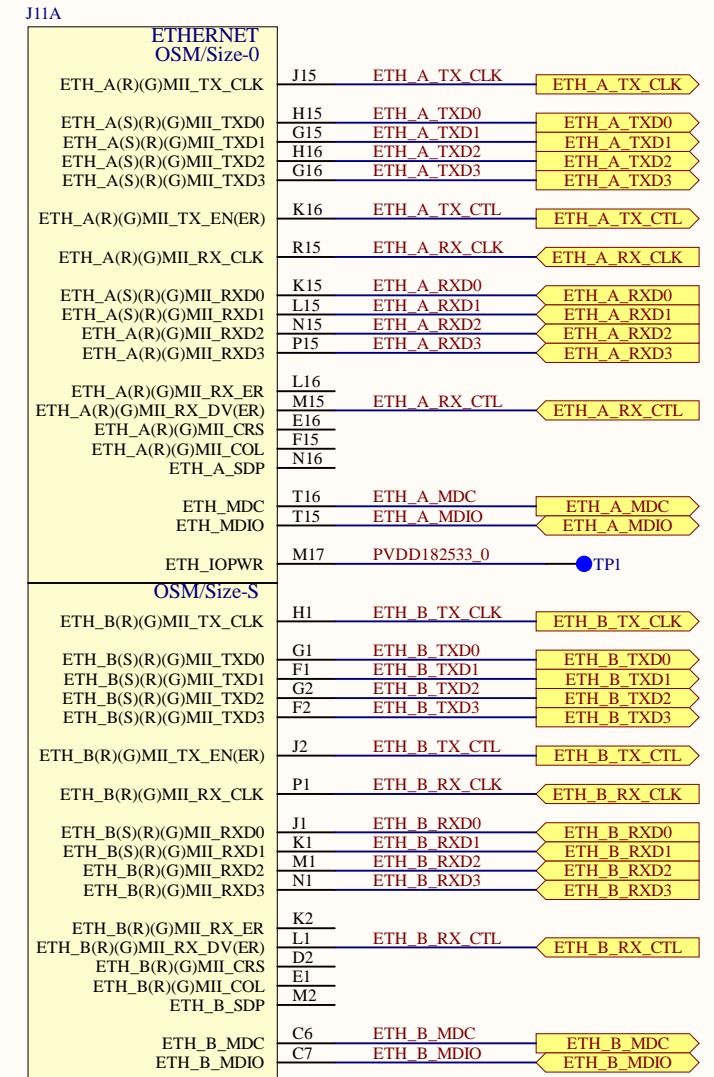
OSM-Pads (Size-0-S)

CAN/USB



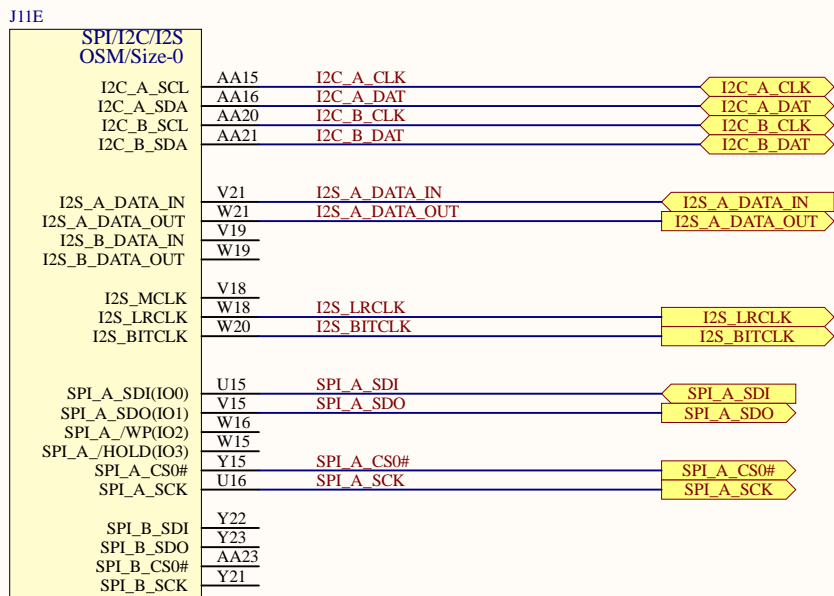
OSM-Pads (Size-0-S)

ETHERNET



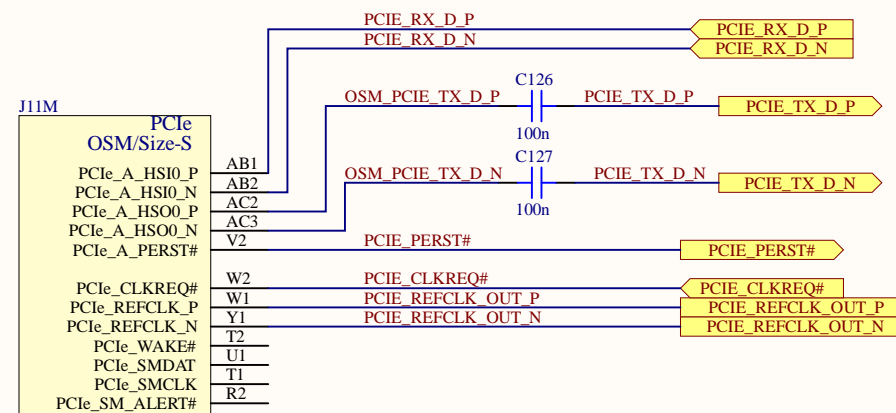
OSM-Pads (Size-0-S)

I2C/I2S/SPI



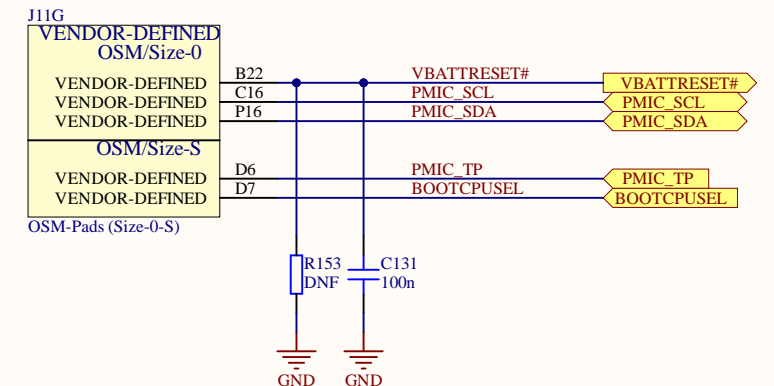
OSM-Pads (Size-0-S)

PCIe



OSM-Pads (Size-0-S)

VENDOR DEFINED



OSM-Pads (Size-0-S)

G3SBERRY

Sheet: OSM 2

Variant: ASM_1

Number 3

Revision: 1.0

Sheet 3 of 14

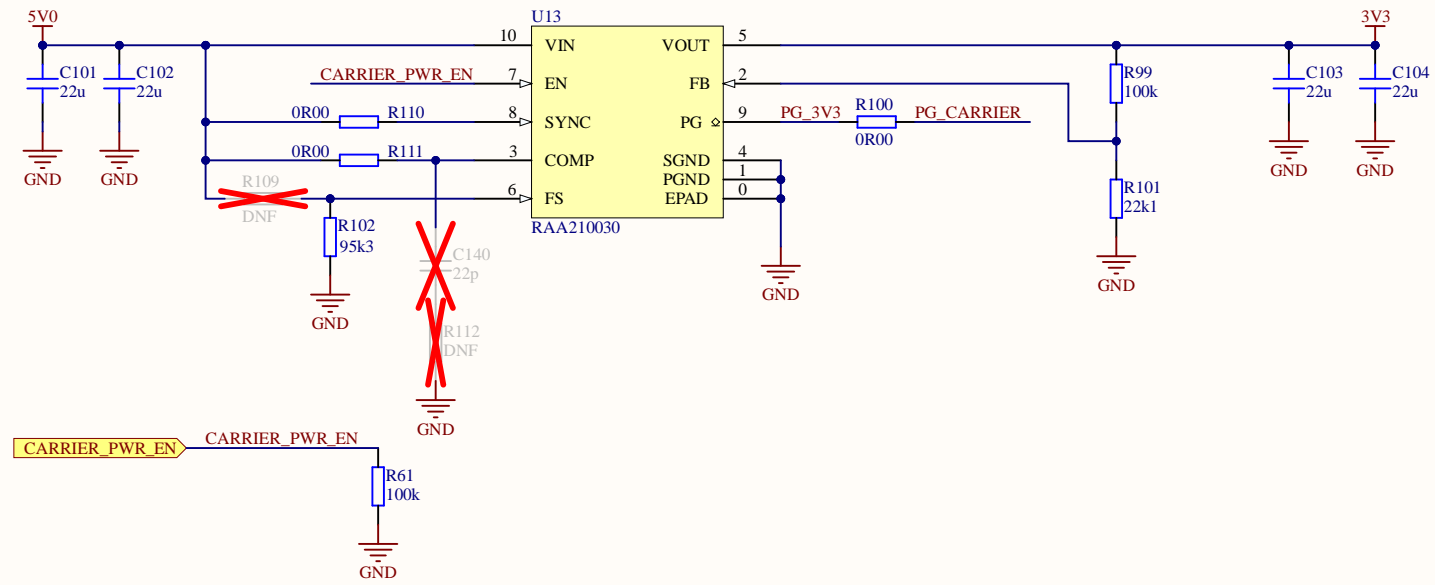
Date: 28.03.2024



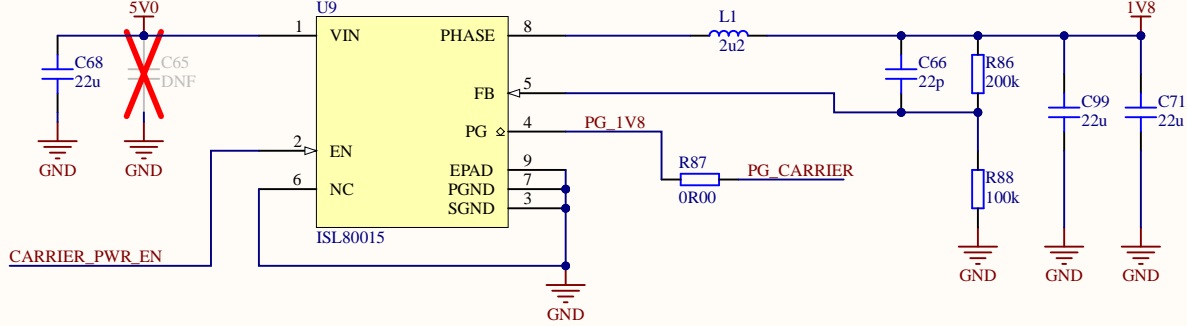
aries embedded GmbH
Schöngeisinger Straße 84
D-82256 Fürstenfeldbruck
Tel. +49 (0)8141 36367-0
web: www.aries-embedded.de

DC/DC power conversion

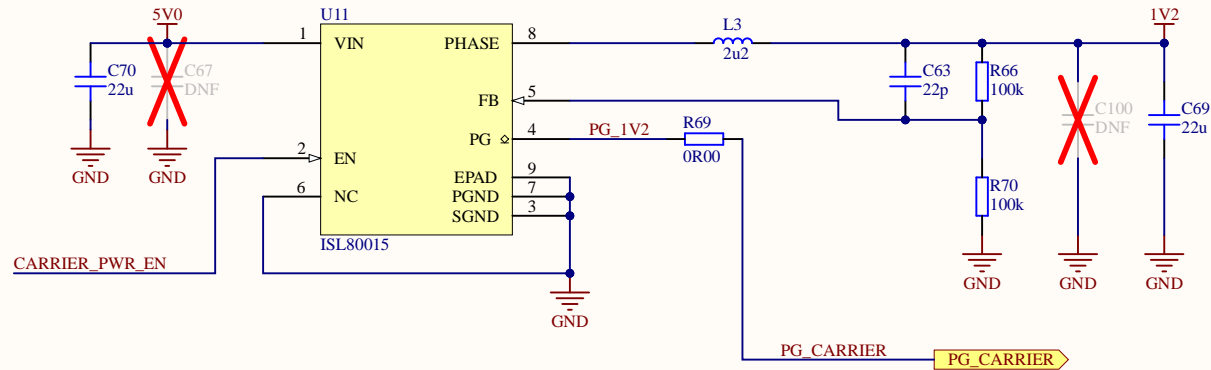
3.3V power supply



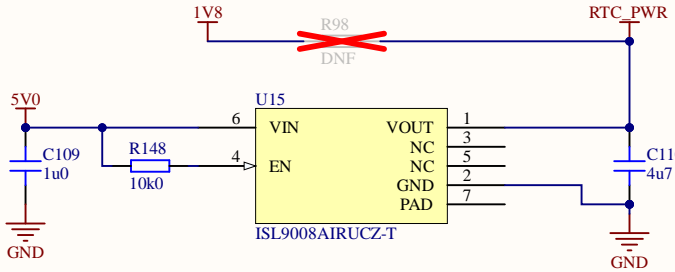
1.8V power supply



1.2V power supply



RTC power supply



G3SBERRY

Sheet: DC/DC CONVERSION

Variant: ASM_1

Number 5

Revision: 1.0

Sheet 5 of 14

Date: 28.03.2024



aries embedded GmbH
 Schöngesinger Straße 84
 D-82256 Fürstenfeldbruck
 Tel. +49 (0)8141 36367-0
 web: www.aries-embedded.de

ETHERNET A

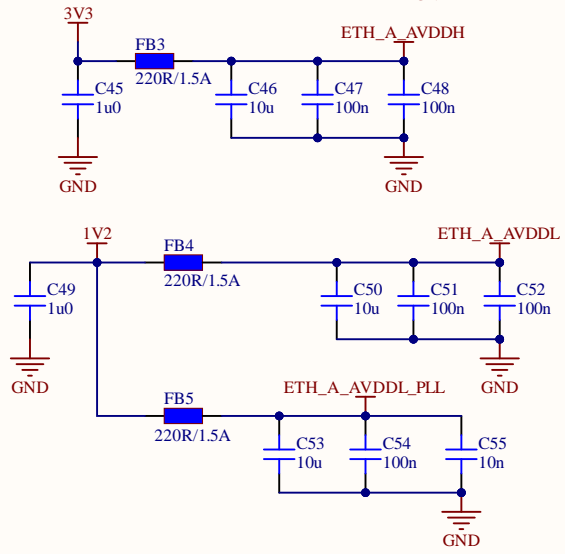
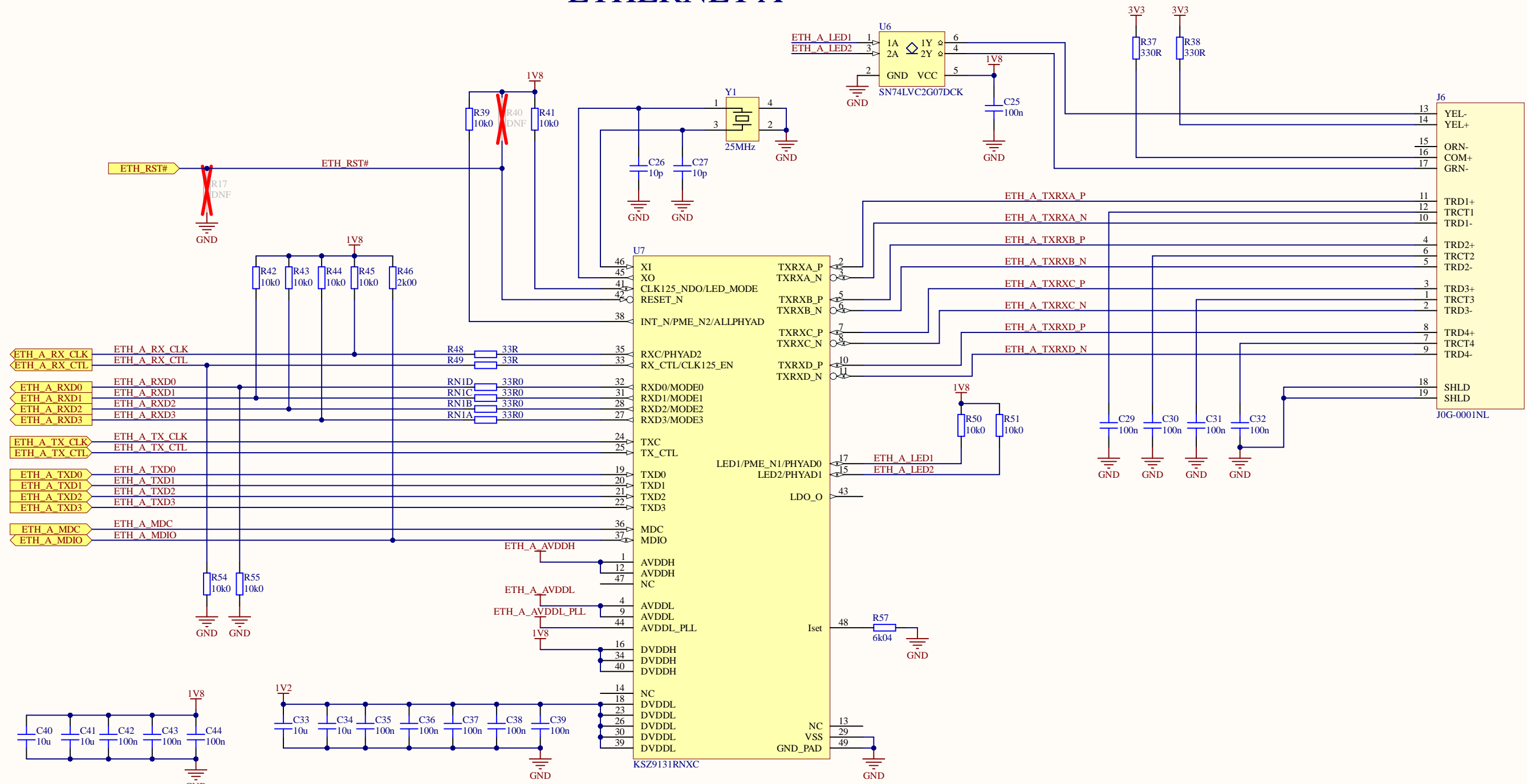


TABLE 3-8: DEVICE MODE SELECTIONS

MODE[3:0]	Mode	Pin 17 Function	Pin 38 Function	Functional Modes			
				1000BT Full Duplex	1000BT Half Duplex	10/100BT Full Duplex	10/100BT Half Duplex
0000	RESERVED			-	-	-	-
0001	RESERVED			-	-	-	-
1000	RGMI	LED1 (PME_N1)		no	no	yes	yes
1001	RESERVED			-	-	-	-
1010	RGMI	RFT_N (PME_N2)		no	no	yes	yes
1011	RESERVED			-	-	-	-
1100	RGMI			yes	no	no	no
1101	RESERVED			-	-	-	-
1110	RGMI			yes	no	yes	yes
1111	RESERVED			-	-	-	-

G3SBERRY

Sheet: ETHERNET 1

Variant: ASM_1

Number 6

Revision: 1.0

Date: 28.03.2024

Sheet 6 of 14

aries embedded GmbH
Schöngesinger Straße 84
D-82256 Fürstenfeldbruck
Tel. +49 (0)8141 36367-0
web: www.aries-embedded.de

ETHERNET B

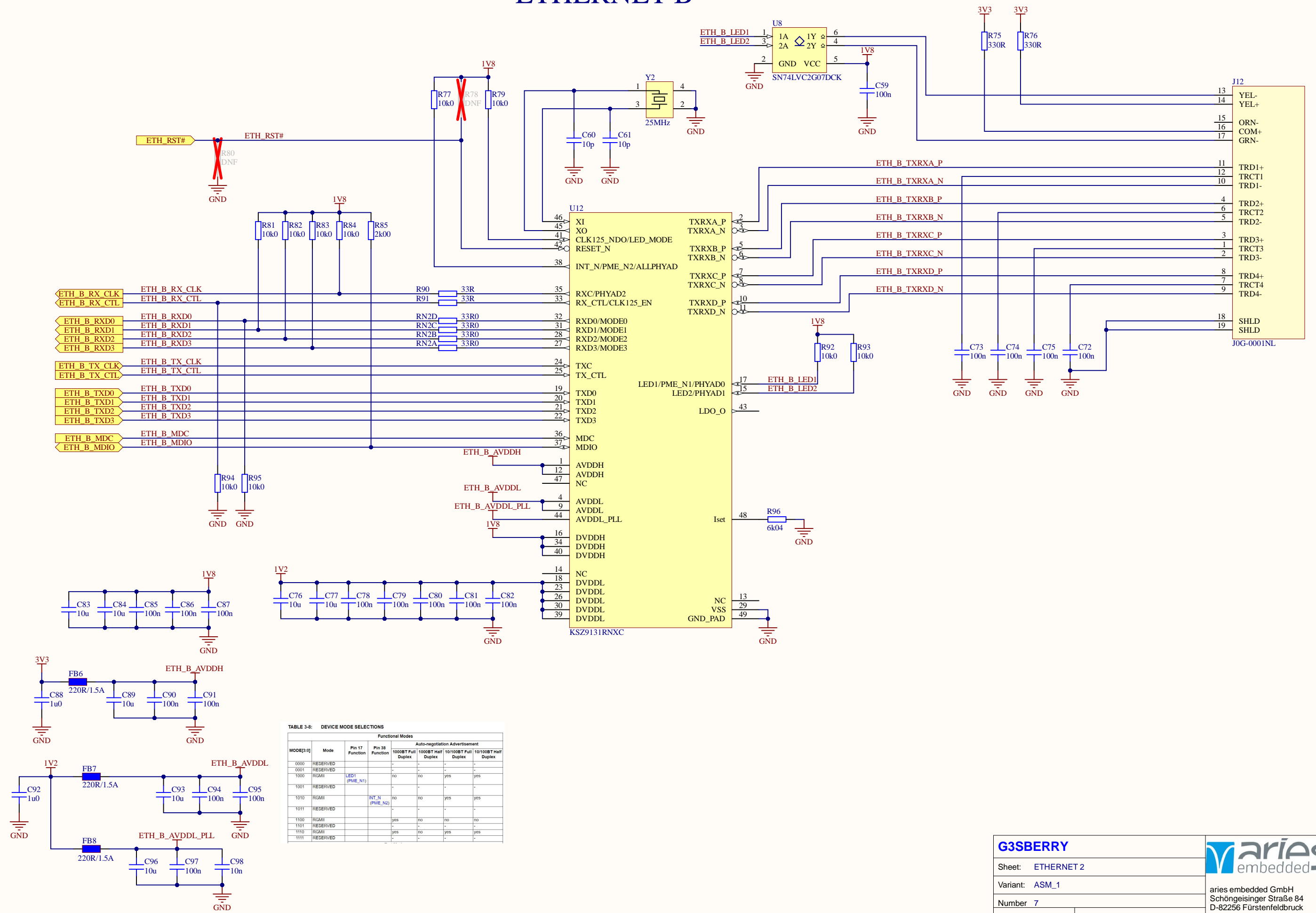


TABLE 3-8: DEVICE MODE SELECTIONS

MODE[3:0]	Mode	Functional Modes			
		Pin 17 Function	Pin 38 Function	1000BT Full Duplex	10/100BT Full Duplex
0000	RESERVED	-	-	-	-
0001	RESERVED	-	-	-	-
1000	RGMII	LED1 (PME_N1)	-	no	yes
1001	RESERVED	-	-	-	-
1010	RGMII	INT_N (PME_N2)	no	no	yes
1011	RESERVED	-	-	-	-
1100	RGMII	yes	no	no	no
1101	RESERVED	-	-	-	-
1110	RGMII	yes	no	yes	yes
1111	RESERVED	-	-	-	-

G3SBERRY

Sheet: ETHERNET 2

Variant: ASM_1

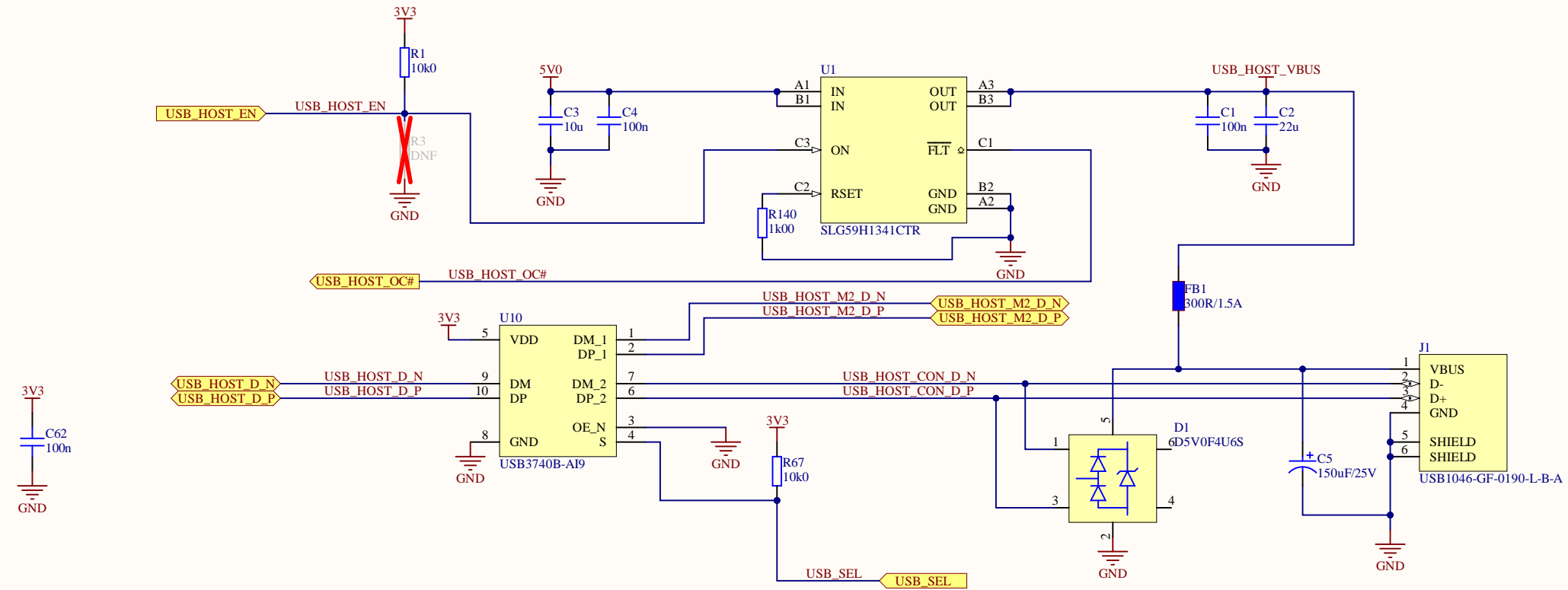
Number 7

Revision: 1.0 | Sheet 7 of 14

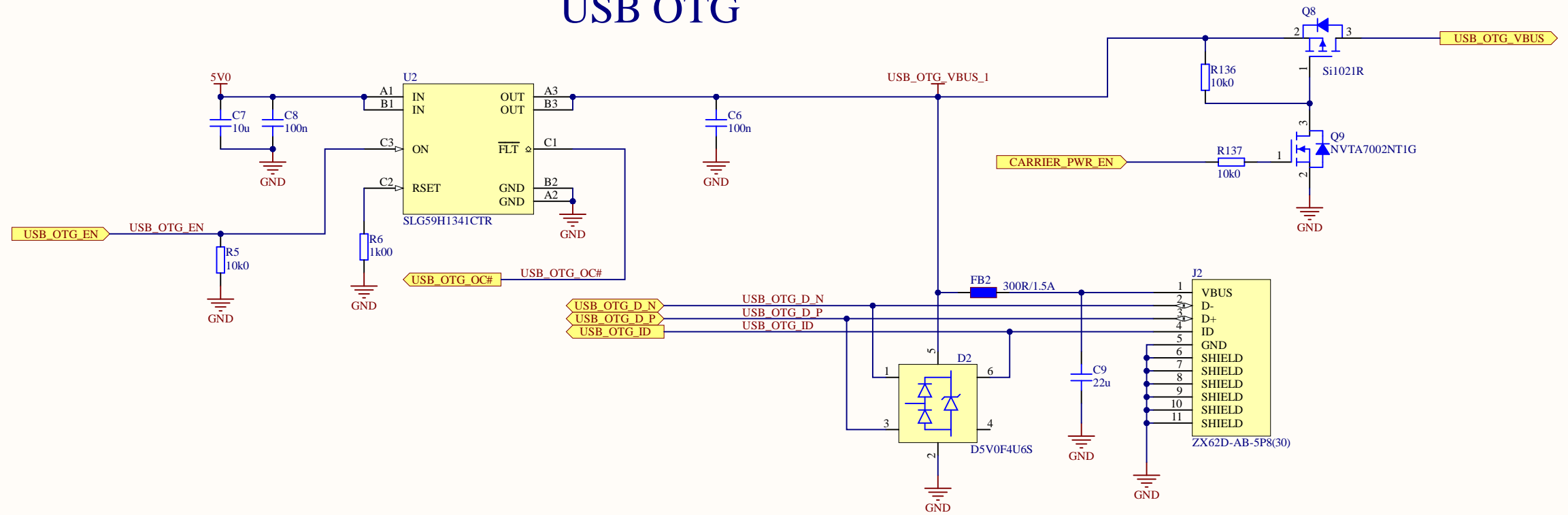
Date: 28.03.2024

aries embedded GmbH
 Schöngesinger Straße 84
 D-82256 Fürstenfeldbruck
 Tel. +49 (0)8141 36367-0
 web: www.aries-embedded.de

USB HOST



USB OTG



G3SBERRY

Sheet: USB

Variant: ASM_1

Number 8

Revision: 1.0

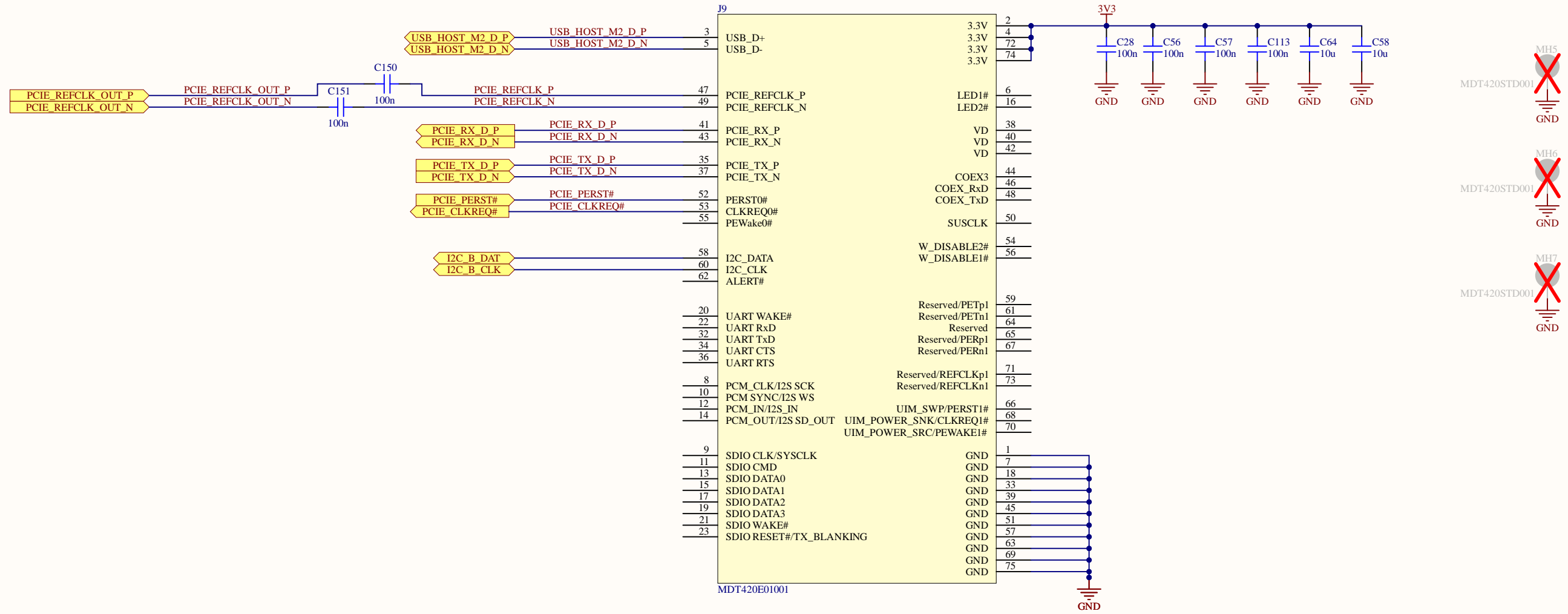
Sheet 8 of 14

Date: 28.03.2024



aries embedded GmbH
 Schöngesinger Straße 84
 D-82256 Fürstenfeldbruck
 Tel. +49 (0)8141 36367-0
 web: www.aries-embedded.de

M.2 KEY E



G3SBERRY

Sheet: M.2

Variant: ASM_1

Number 9

Revision: 1.0

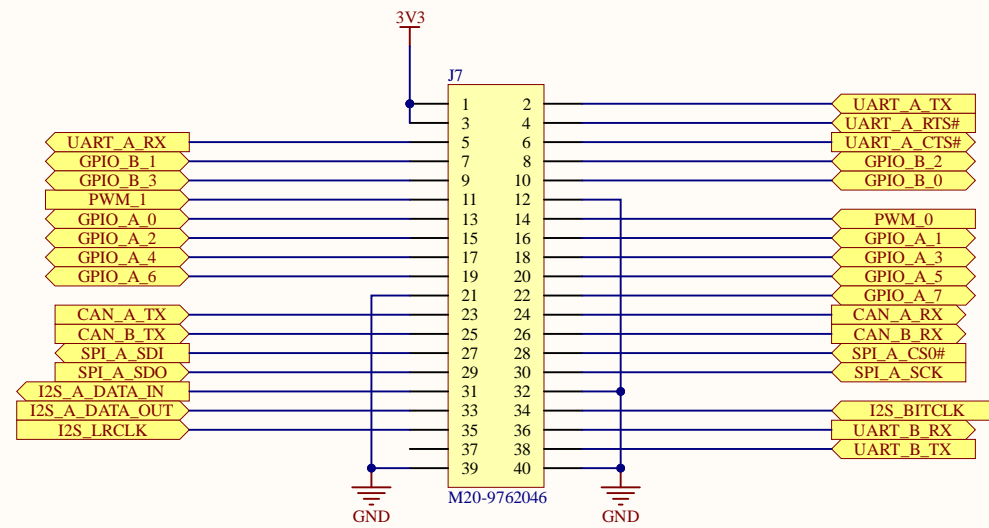
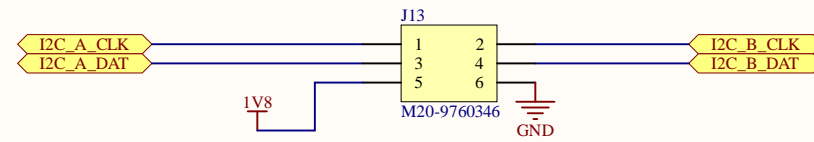
Sheet 9 of 14

Date: 28.03.2024



aries embedded GmbH
 Schöngesinger Straße 84
 D-82256 Fürstenfeldbruck
 Tel. +49 (0)8141 36367-0
 web: www.aries-embedded.de

PERIPHERALS



G3SBERRY

Sheet: GPIO

Variant: ASM_1

Number 11

Revision: 1.0

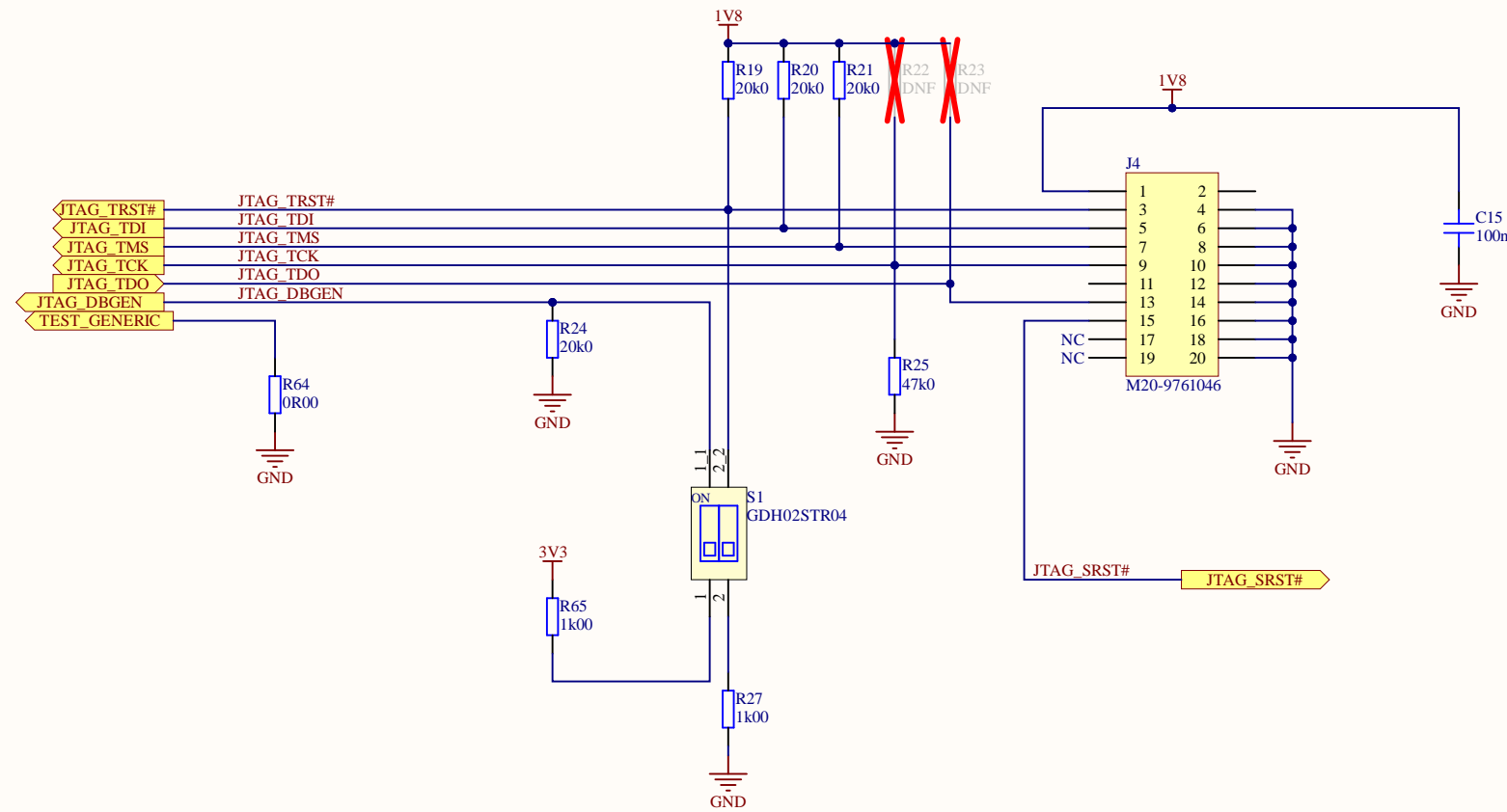
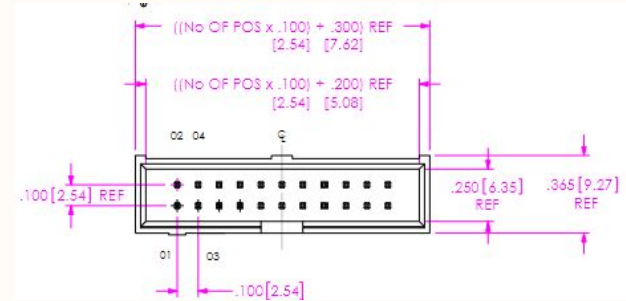
Sheet 11 of 14

Date: 28.03.2024



aries embedded GmbH
Schöngesinger Straße 84
D-82256 Fürstenfeldbruck
Tel. +49 (0)8141 36367-0
web: www.aries-embedded.de

JTAG



VCC	1	2	VCC (optional)
TRST	3	4	GND
NC / TDI	5	6	GND
SWDIO / TMS	7	8	GND
SWDCLK / TCLK	9	10	GND
RTCK	11	12	GND
SWO / TDO	13	14	GND
RESET	15	16	GND
NC	17	18	GND
NC	19	20	GND

G3SBERRY

Sheet: JTAG

Variant: ASM_1

Number 12

Revision: 1.0

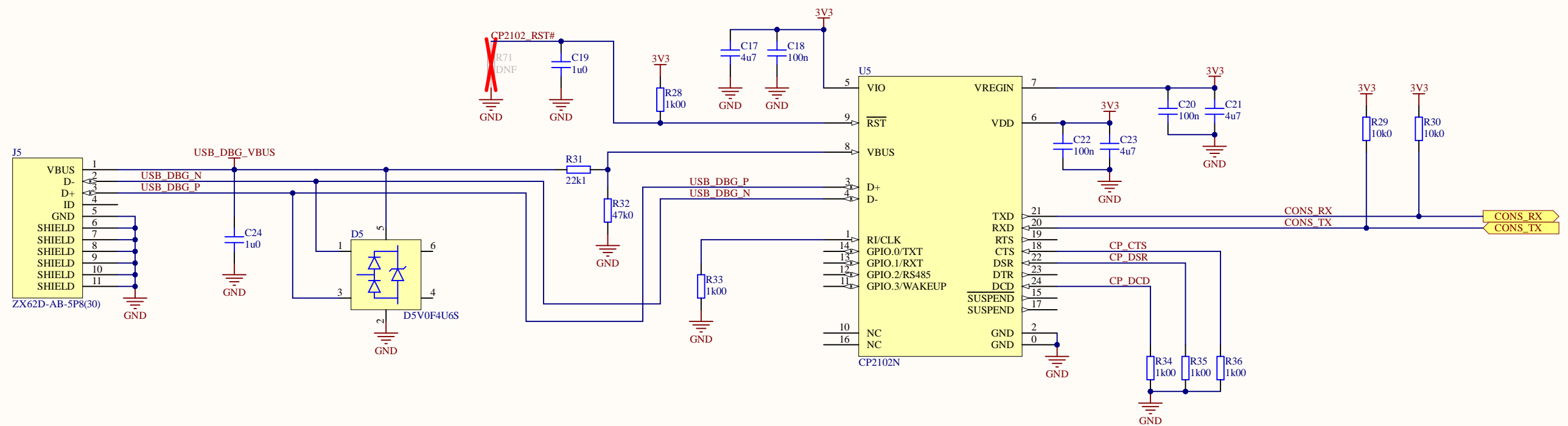
Sheet 12 of 14

Date: 28.03.2024



aries embedded GmbH
 Schöngesinger Straße 84
 D-82256 Fürstenfeldbruck
 Tel. +49 (0)8141 36367-0
 web: www.aries-embedded.de

USB to UART converter (console)



G3SBERRY

Sheet: CONSOLE

Variant: ASM_1

Number 13

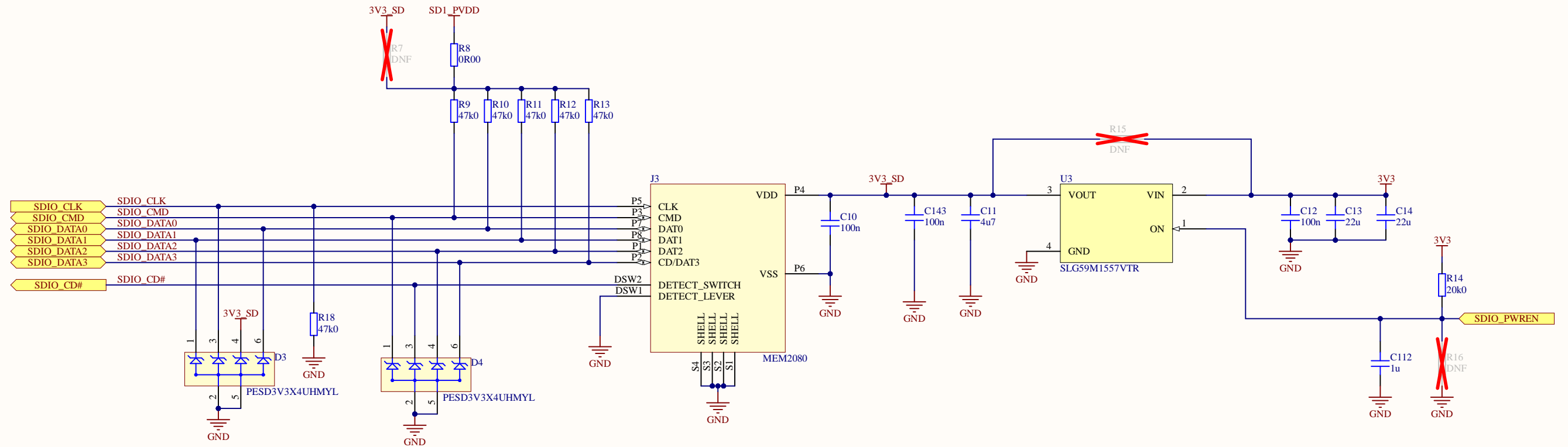
Revision: 1.0 Sheet 13 of 14

Date: 28.03.2024



aries embedded GmbH
 Schöngesinger Straße 84
 D-82256 Fürstenfeldbruck
 Tel. +49 (0)8141 36367-0
 web: www.aries-embedded.de

SD CARD



G3SBERRY

Sheet: SDCARD

Variant: ASM_1

Number 14

Revision: 1.0

Sheet 14 of 14

Date: 28.03.2024



aries embedded GmbH
 Schöngesinger Straße 84
 D-82256 Fürstenfeldbruck
 Tel. +49 (0)8141 36367-0
 web: www.aries-embedded.de