

FIVEberry 1.0

Table of Content

| Sheet # | Description |
|---------|--------------------|
| 1 | Title page |
| 2 | Connection diagram |
| 3 | Power |
| 4 | OSM Module |
| 5 | Ethernet |
| 6 | Ethernet PHY1 |
| 7 | Ethernet PHY2 |
| 8 | USB |
| 9 | GPIO/Debug/Console |
| 10 | uSD card |

Revision history

| Revision | Date | Changes |
|----------|------------|-----------------|
| 1.0 | 28.11.2022 | Initial release |
| | | |

FIVEberry

Sheet: Title page

Variant: A

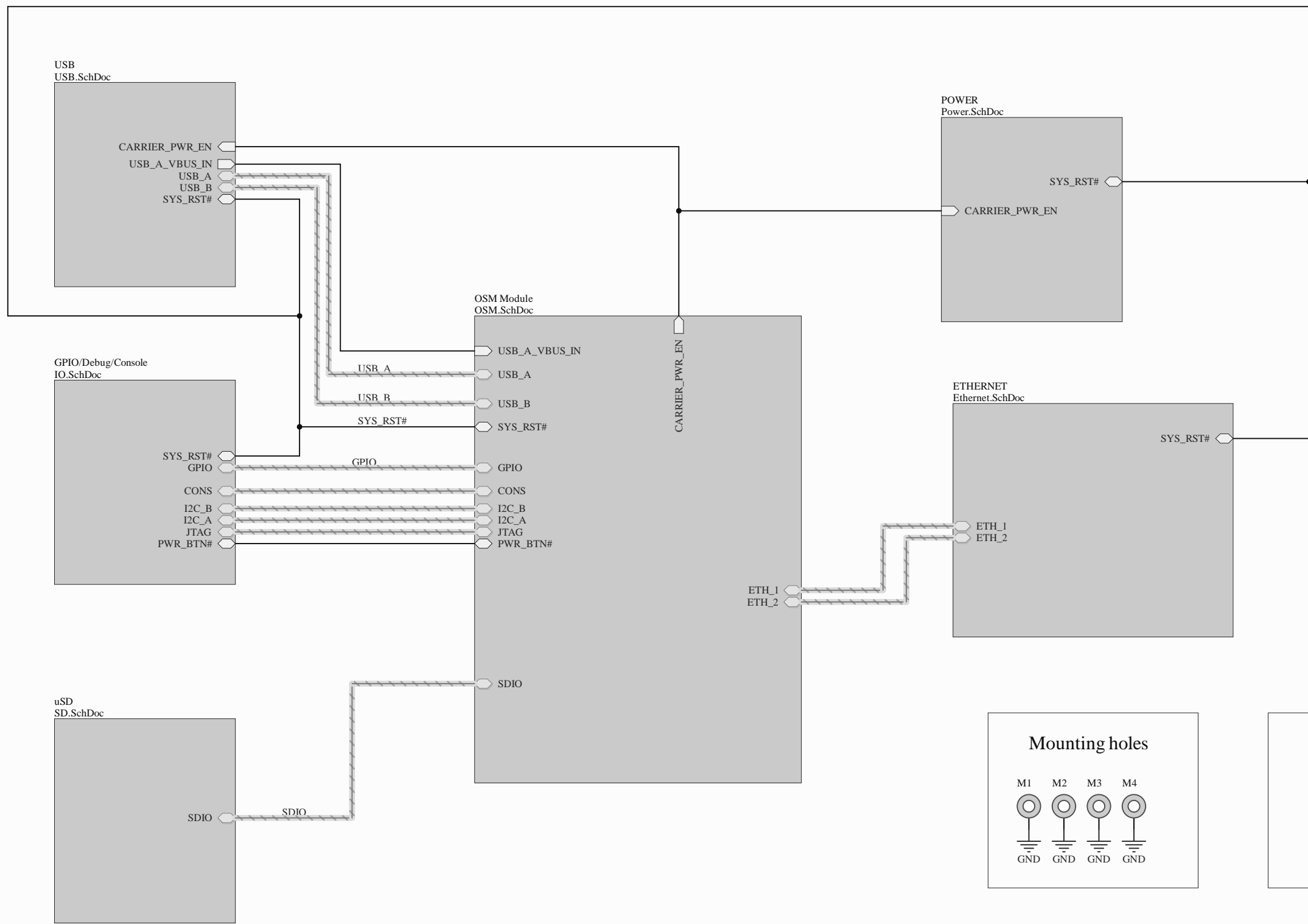
Number 1.

Revision: 1.0 Sheet 1 of 10

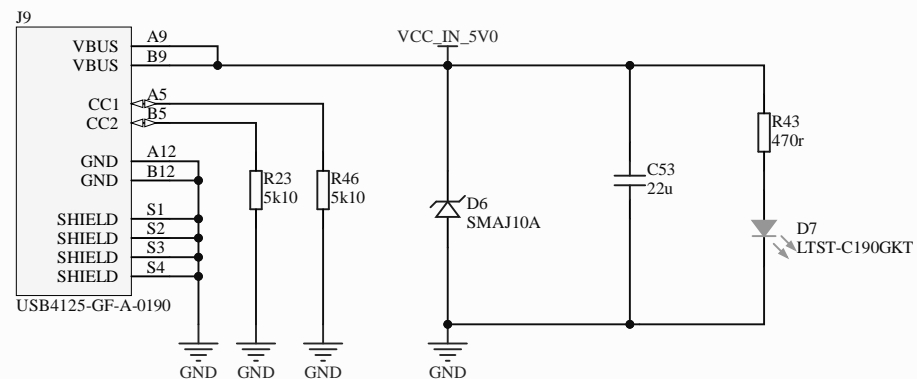
Date: 28.11.2022



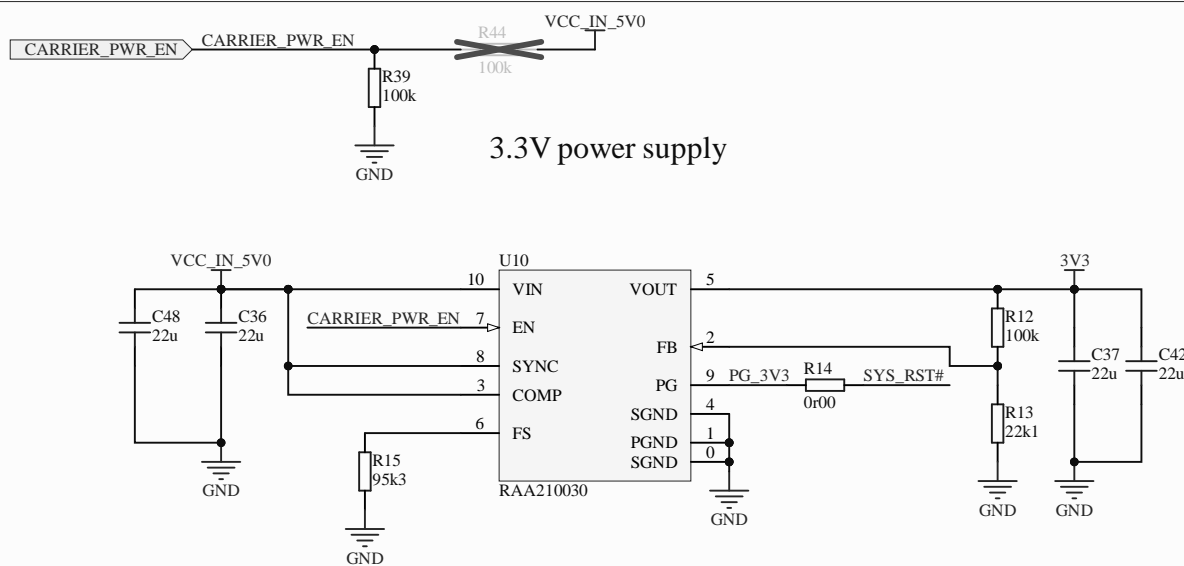
aries embedded GmbH
Schöngeisinger Straße 84
D-82256 Fürstenfeldbruck
Tel. +49 (0)8141 36367-0
web: www.aries-embedded.de



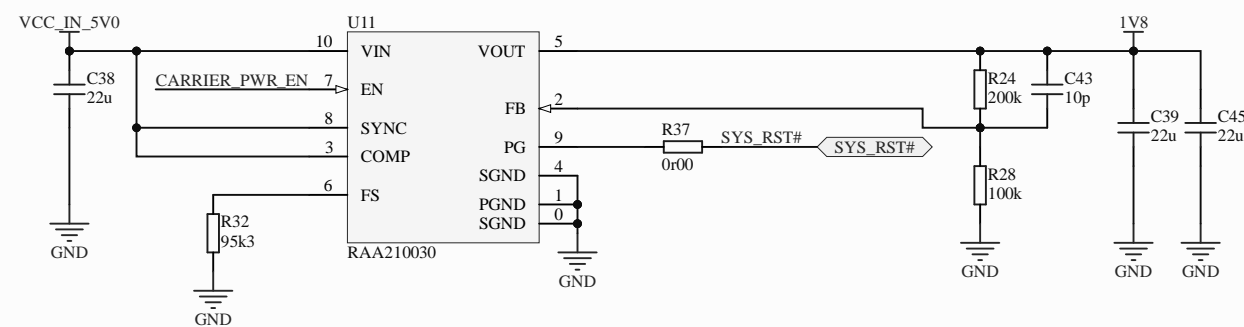
USB power input 5V/3A



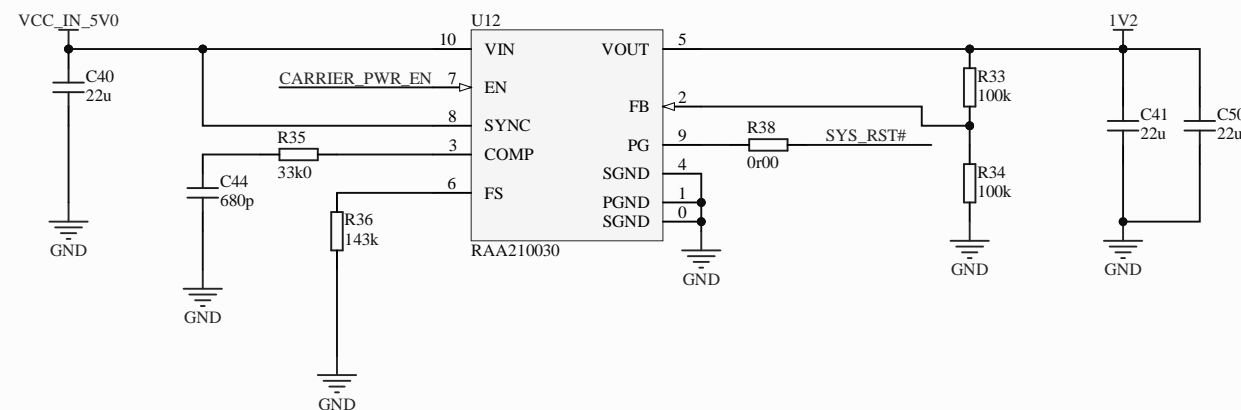
3.3V power supply



1.8V power supply



1.2V power supply



FIVEberry

Sheet: Power

Variant: A

Number 3.

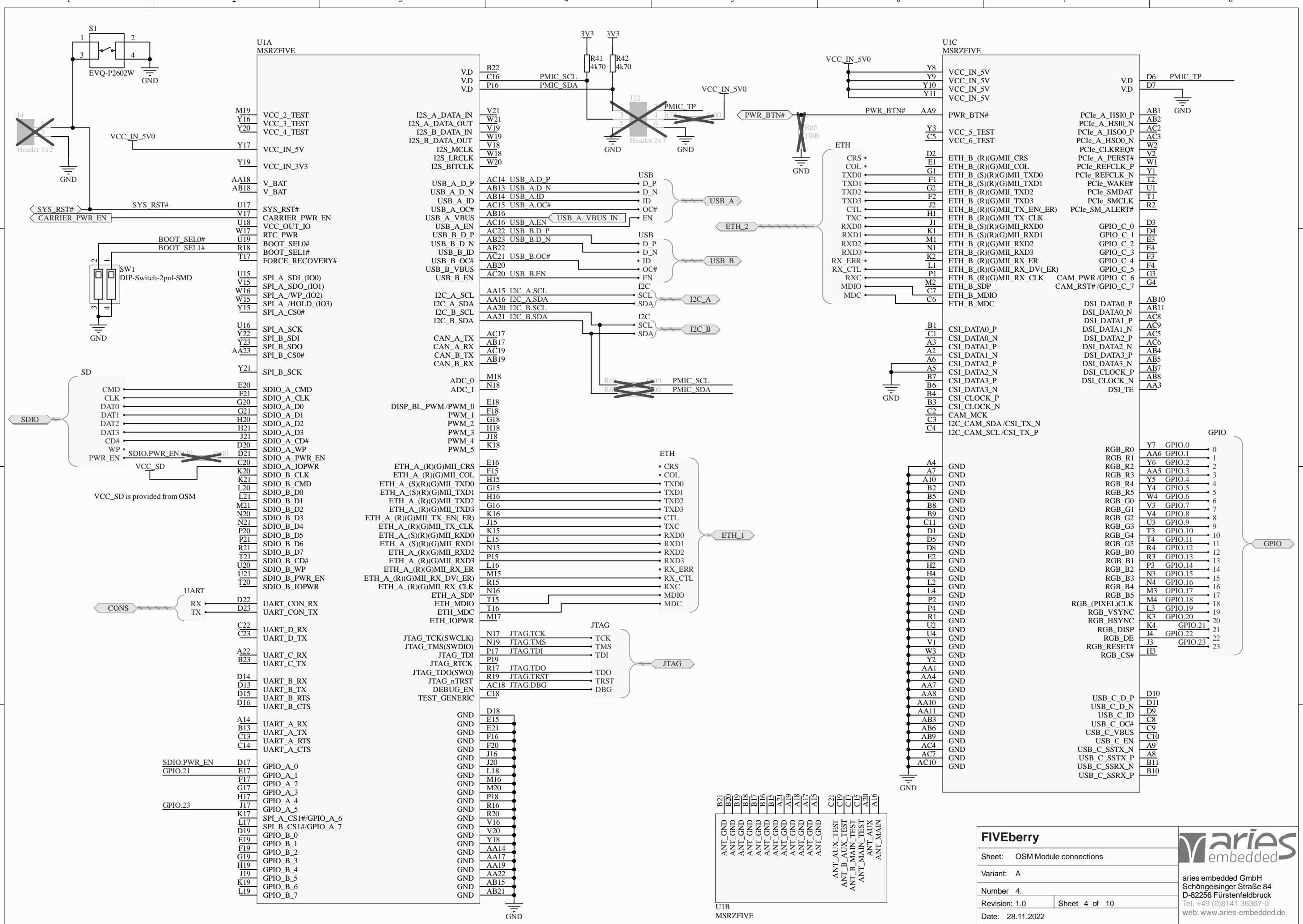
Revision: 1.0

Sheet 3 of 10

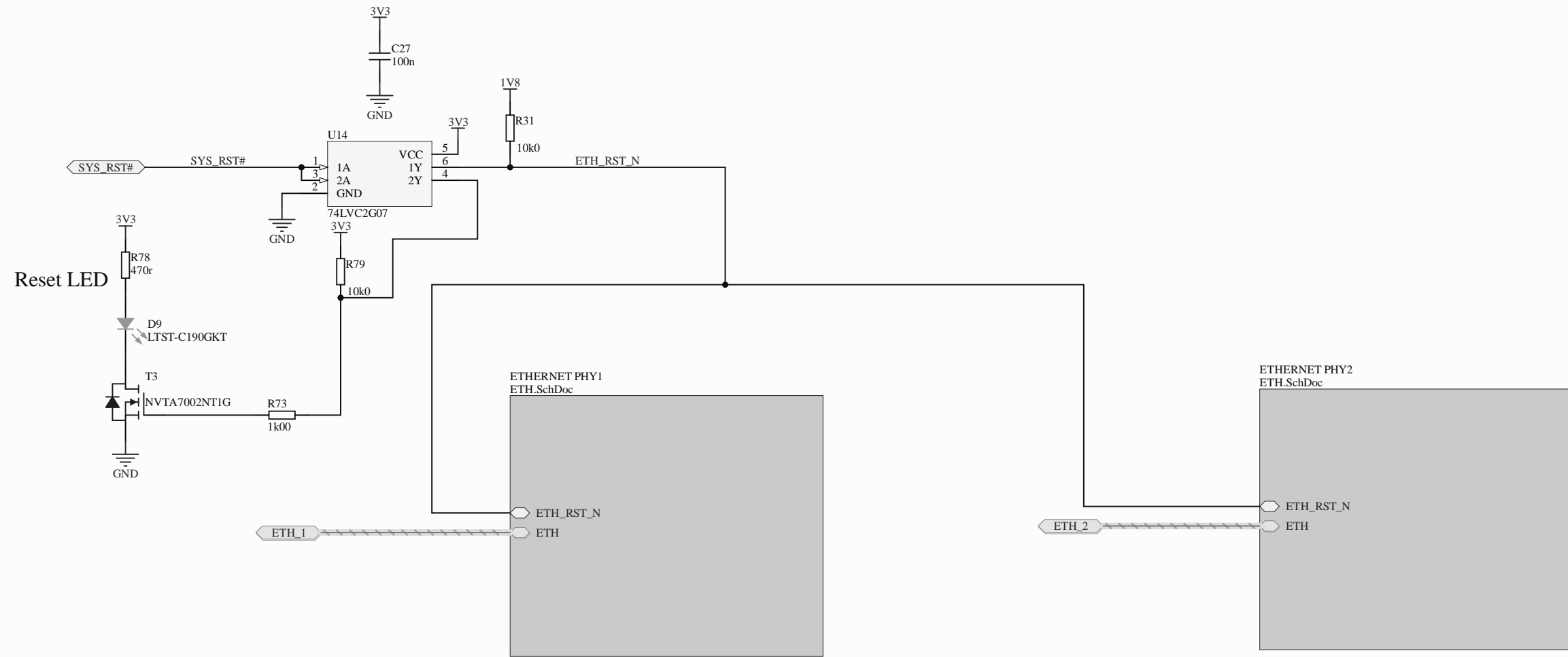
Date: 28.11.2022



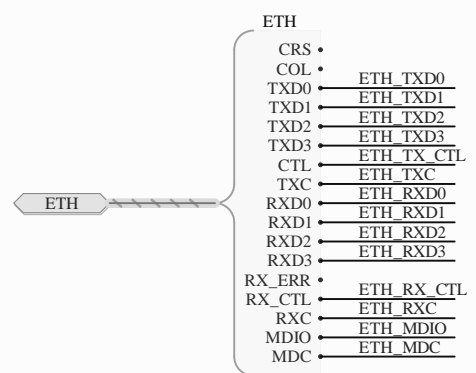
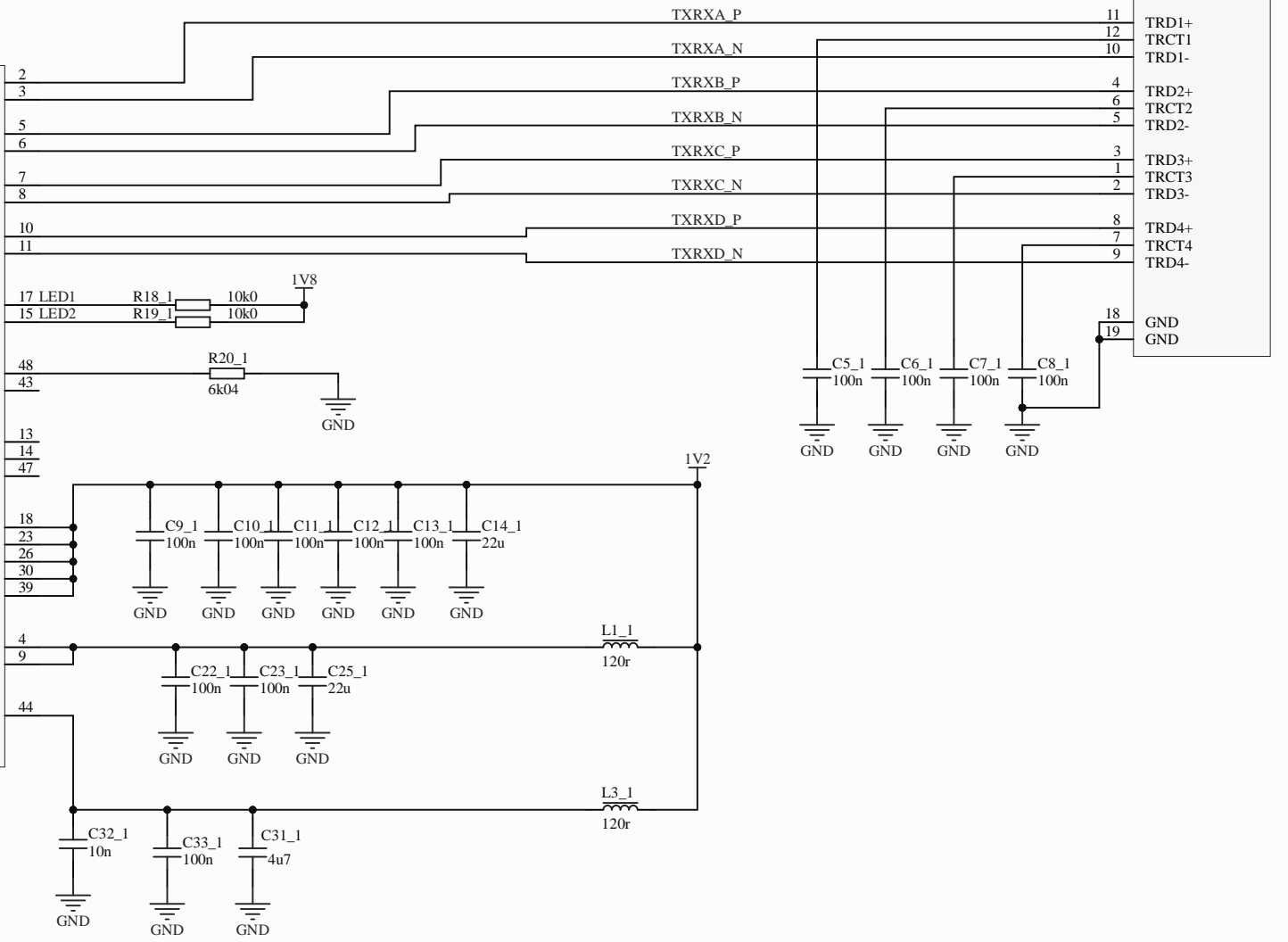
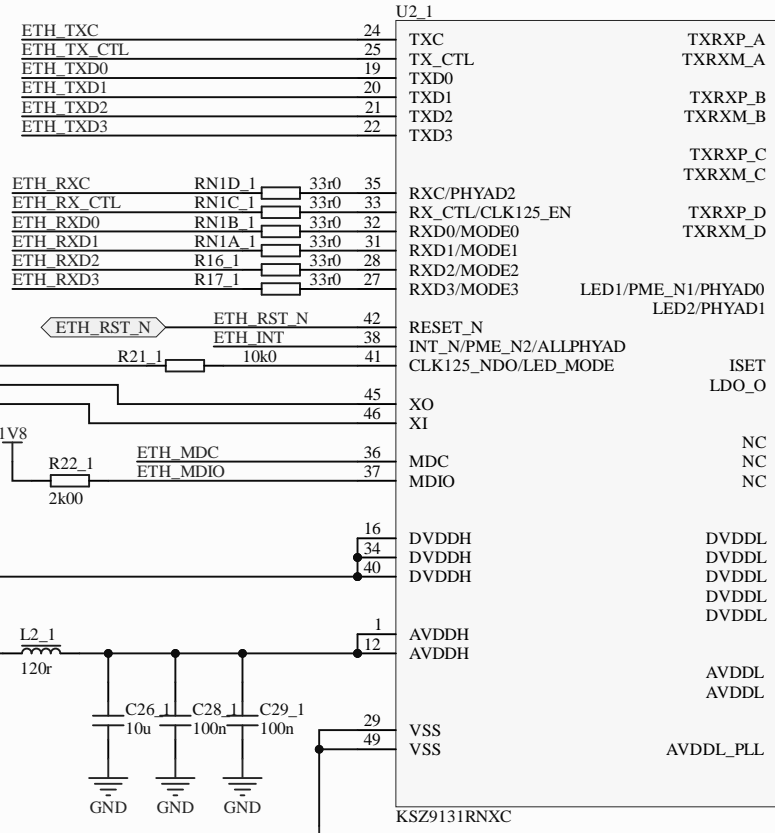
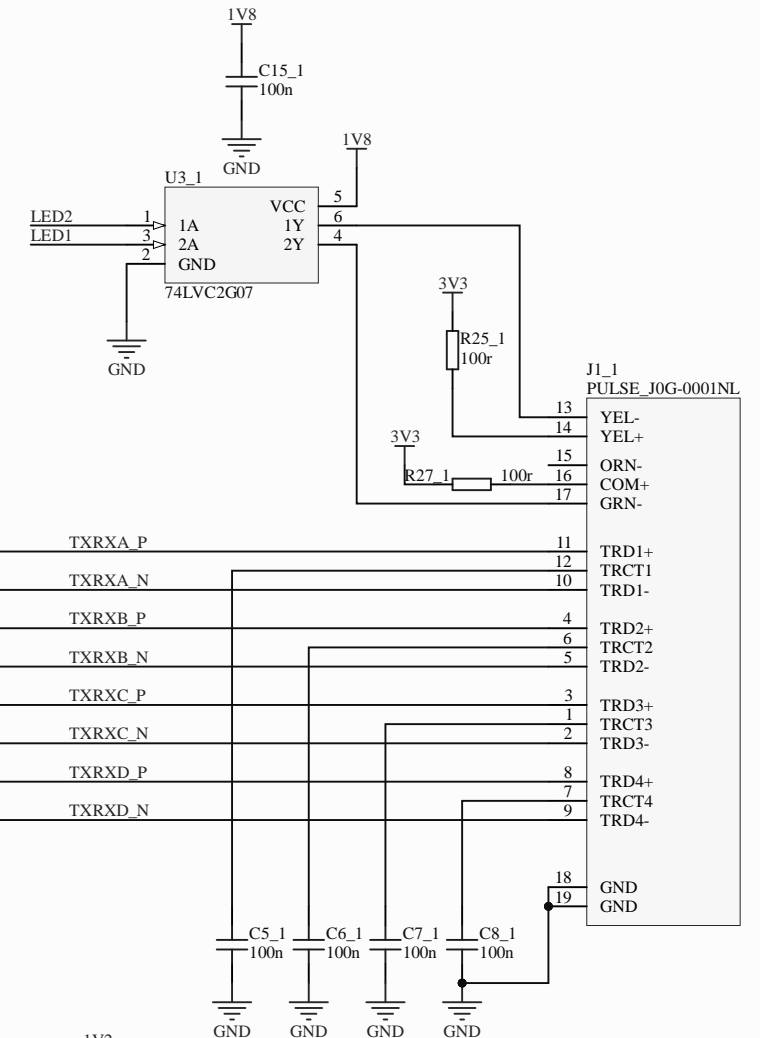
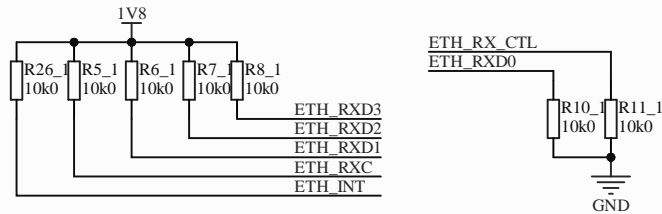
aries embedded GmbH
 Schöngesinger Straße 84
 D-82256 Fürstenfeldbruck
 Tel. +49 (0)8141 36367-0
 web: www.aries-embedded.de



Ethernet reset

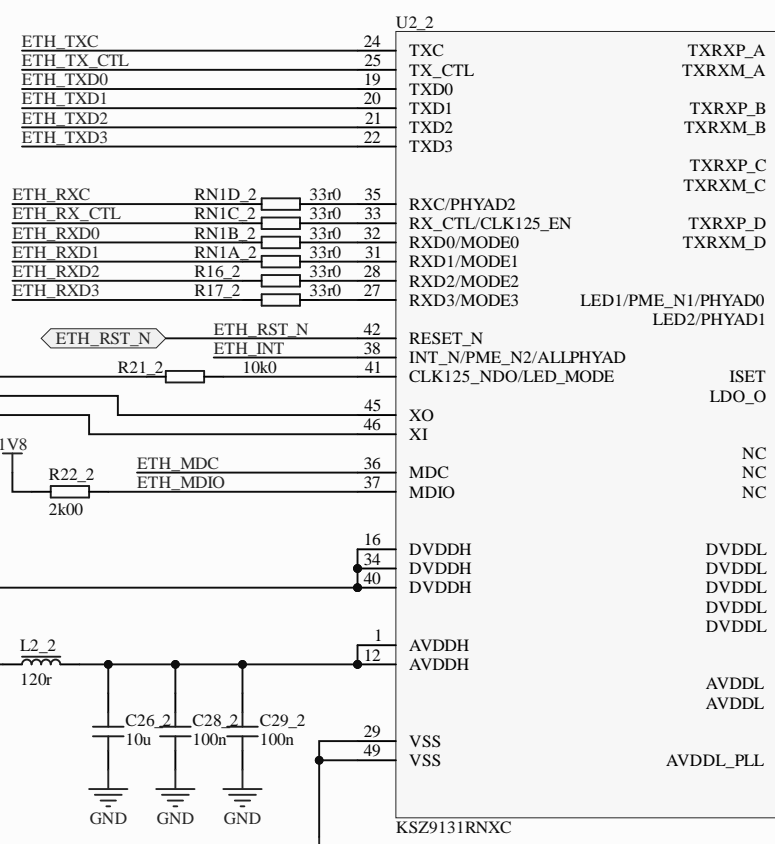
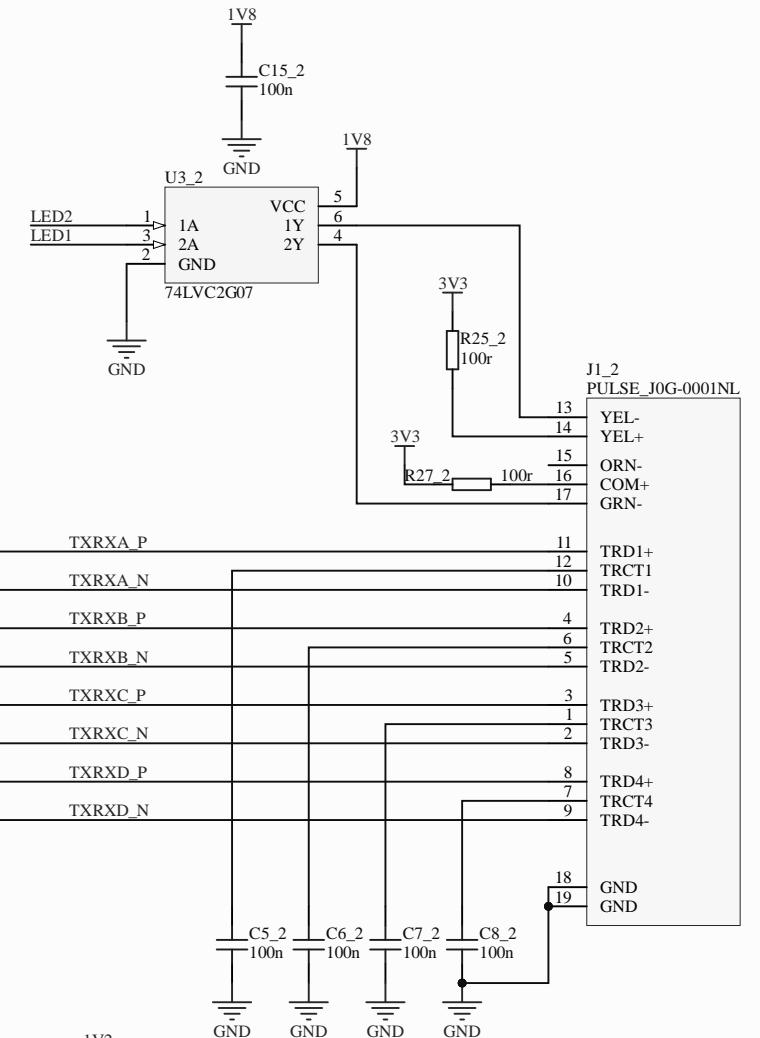
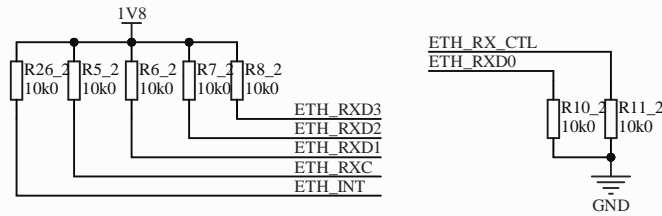


Pull up/down resistors for configuration



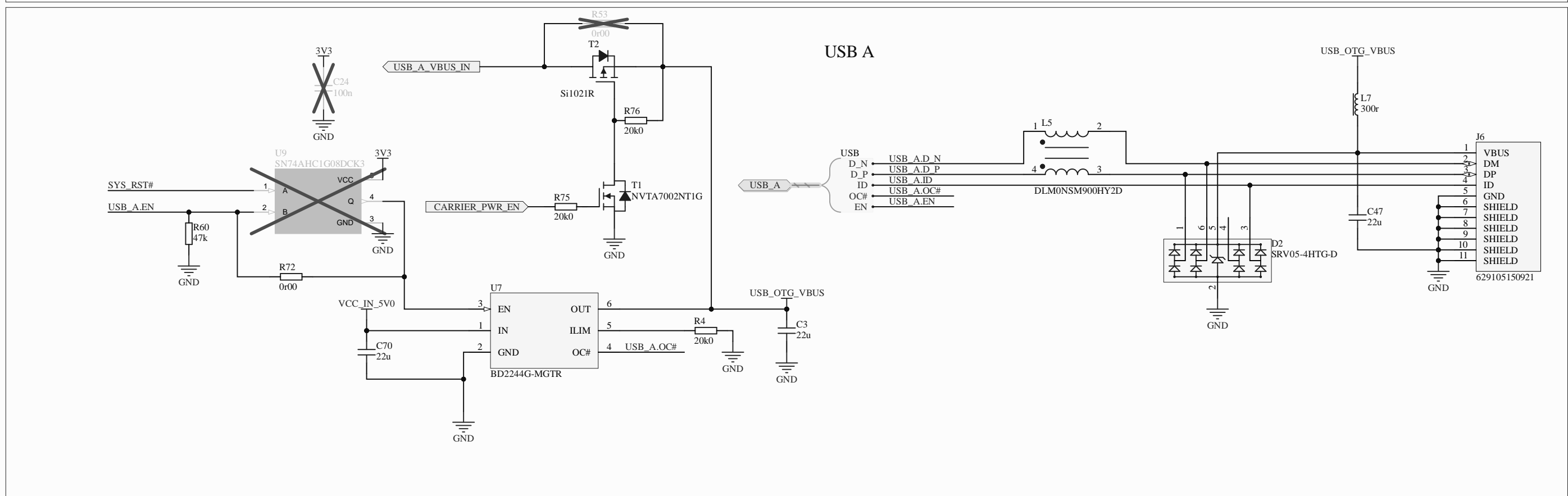
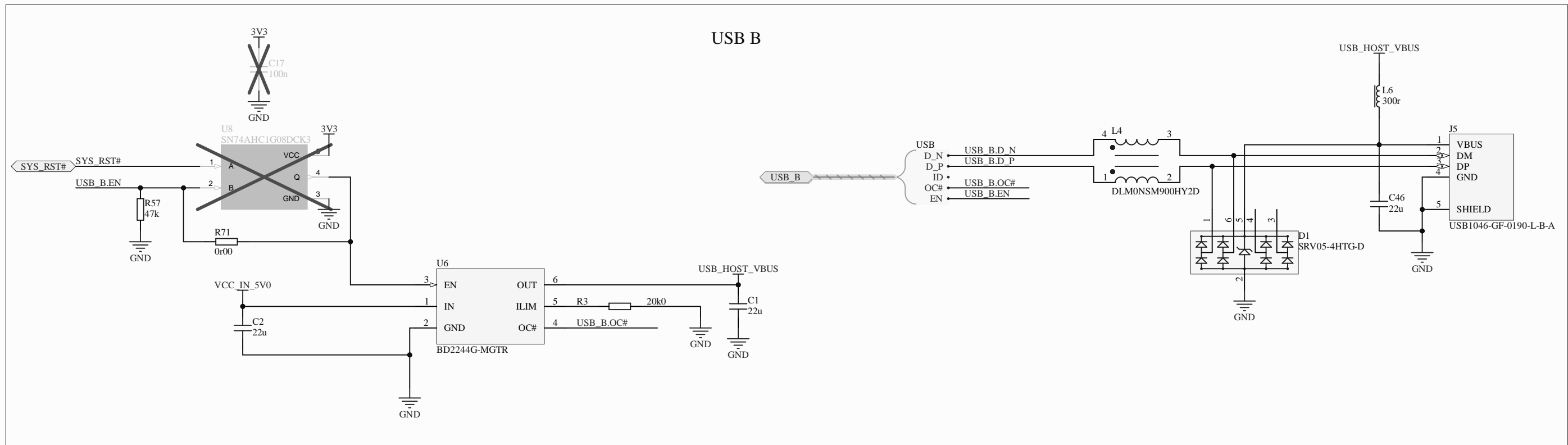
| | | |
|------------------|--------------|---|
| FIVEberry | | <p>aries embedded GmbH Schöngesinger Straße 84 D-82256 Fürstenfeldbruck Tel. +49 (0)8141 36367-0 web: www.aries-embedded.de</p> |
| Sheet: | Ethernet PHY | |
| Variant: | A | |
| Number: | 6.1 | |
| Revision: | 1.0 | |
| Date: | 28.11.2022 | Sheet 6 of 10 |

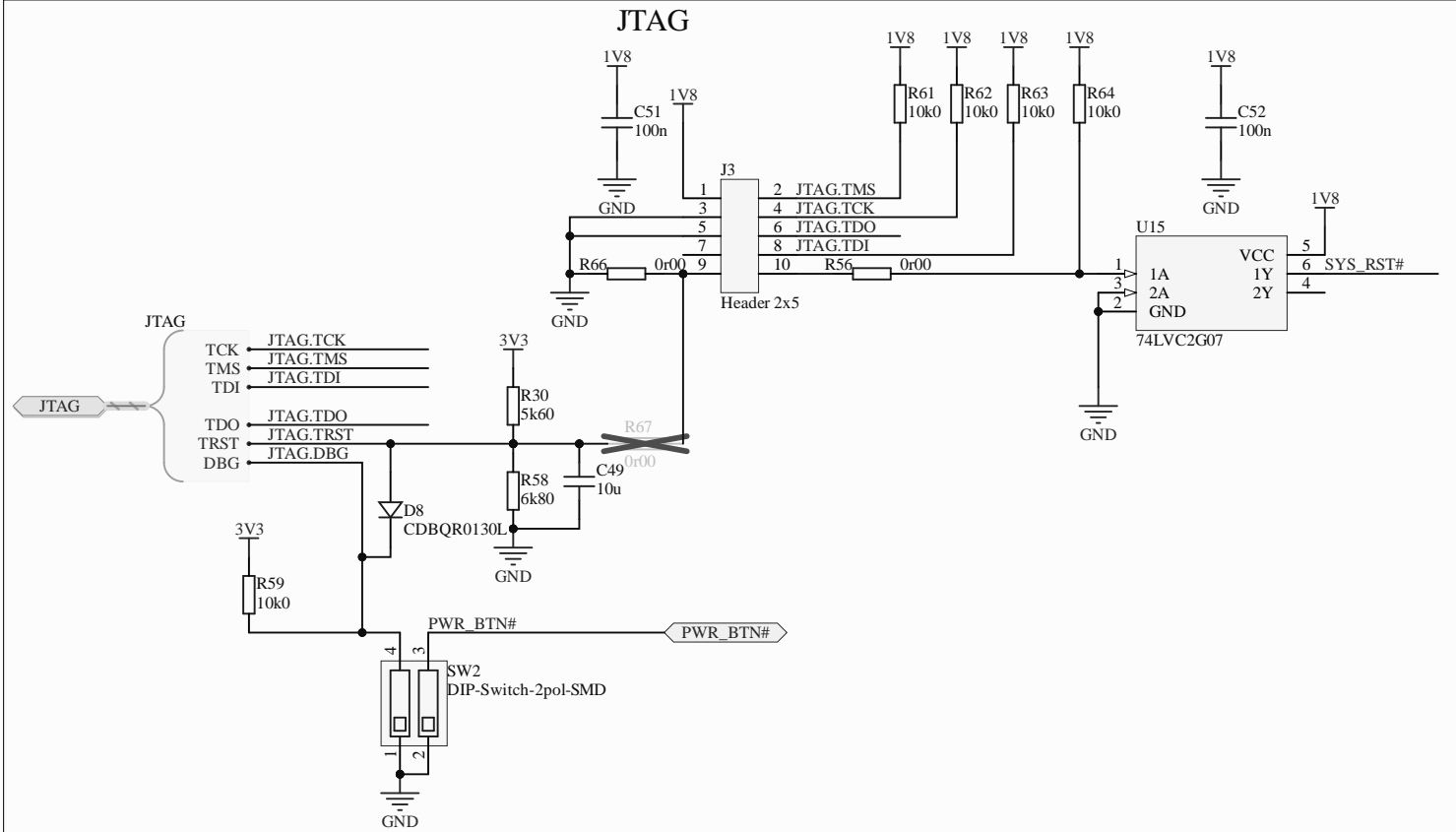
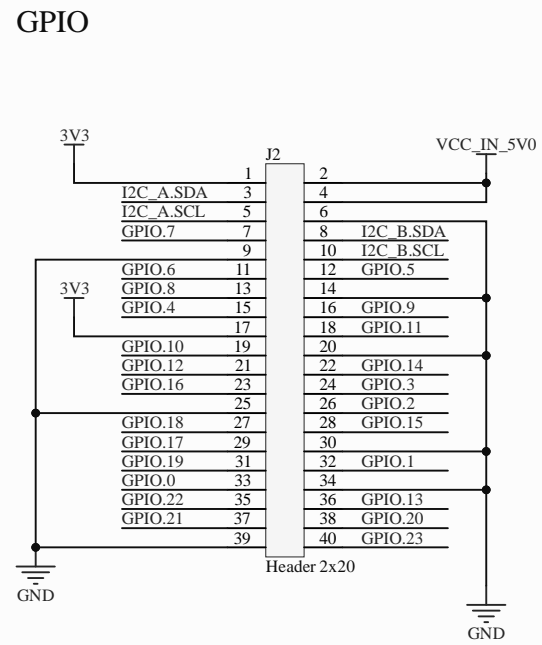
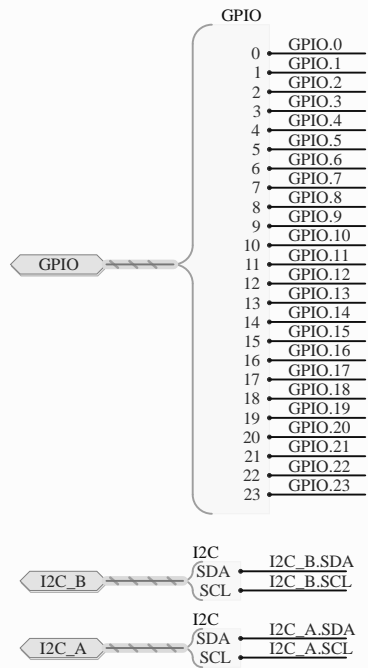
Pull up/down resistors for configuration



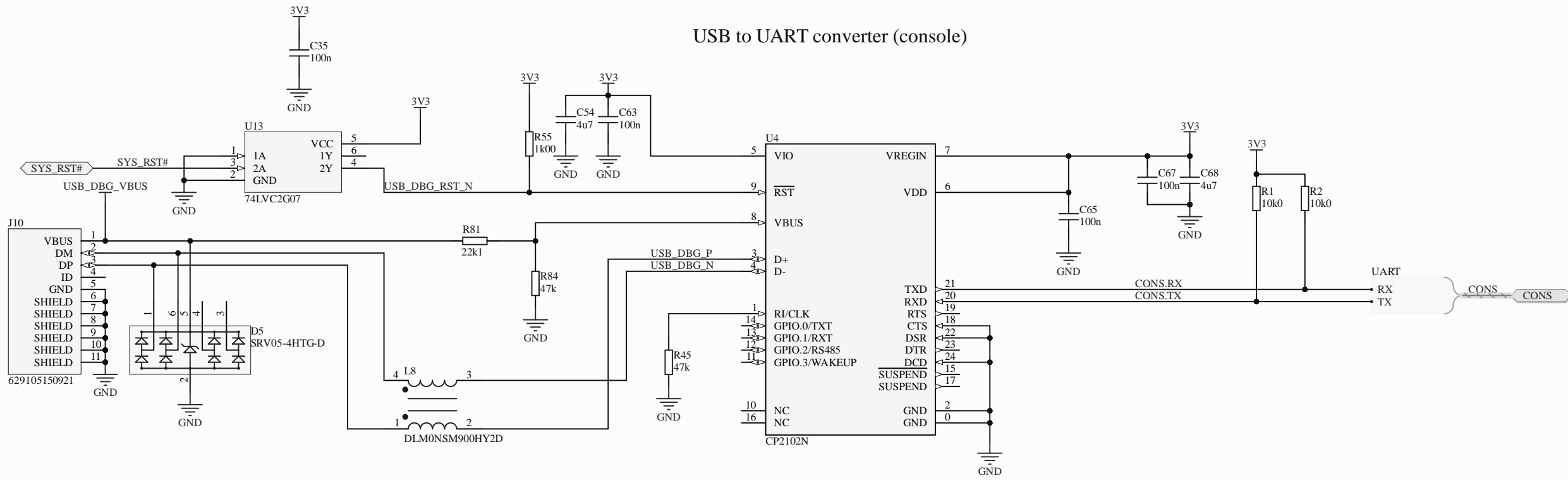
- ETH
- CRS •
 - COL •
 - TXD0 • ETH_TXD0
 - TXD1 • ETH_TXD1
 - TXD2 • ETH_TXD2
 - TXD3 • ETH_TXD3
 - TXD3 • ETH_TX_CTL
 - CTL •
 - TXC • ETH_TXC
 - RXD0 • ETH_RXD0
 - RXD1 • ETH_RXD1
 - RXD2 • ETH_RXD2
 - RXD3 • ETH_RXD3
 - RX_ERR •
 - RX_CTL • ETH_RX_CTL
 - RXC • ETH_RXC
 - MDIO • ETH_MDIO
 - MDC • ETH_MDC

| | | |
|------------------|--------------|---|
| FIVEberry | | <p>aries embedded GmbH Schöngesinger Straße 84 D-82256 Fürstenfeldbruck Tel. +49 (0)8141 36367-0 web: www.aries-embedded.de</p> |
| Sheet: | Ethernet PHY | |
| Variant: | A | |
| Number: | 6.2 | |
| Revision: | 1.0 | |
| Date: | 28.11.2022 | Sheet 7 of 10 |





USB to UART converter (console)



FIVEberry

Sheet: GPIO/Debug/Console

Variant: A

Number 8.

Revision: 1.0

Sheet 9 of 10

Date: 28.11.2022



aries embedded GmbH
 Schöngesinger Straße 84
 D-82256 Fürstenfeldbruck
 Tel. +49 (0)8141 36367-0
 web: www.aries-embedded.de

