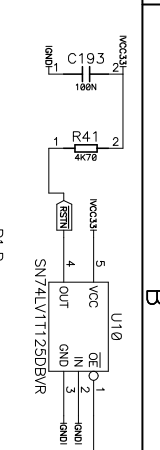
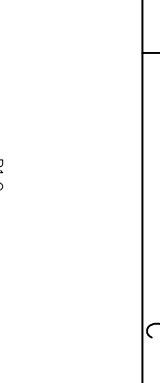


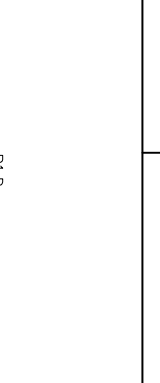
| Pin | Label | Value |
|------|-------------|-------|
| P1:A | EXT_OFF_ACK | GND |
| P1:B | EXT_OFF_ACK | GND |
| P1:C | EXT_OFF_ACK | GND |
| P1:D | EXT_OFF_ACK | GND |
| P1:E | EXT_OFF_ACK | GND |
| P1:F | EXT_OFF_ACK | GND |
| P1:G | EXT_OFF_ACK | GND |
| P1:H | EXT_OFF_ACK | GND |
| P1:I | EXT_OFF_ACK | GND |



| Pin | Label | Value |
|------|-------------|-------|
| P1:A | EXT_OFF_ACK | GND |
| P1:B | EXT_OFF_ACK | GND |
| P1:C | EXT_OFF_ACK | GND |
| P1:D | EXT_OFF_ACK | GND |
| P1:E | EXT_OFF_ACK | GND |
| P1:F | EXT_OFF_ACK | GND |
| P1:G | EXT_OFF_ACK | GND |
| P1:H | EXT_OFF_ACK | GND |
| P1:I | EXT_OFF_ACK | GND |

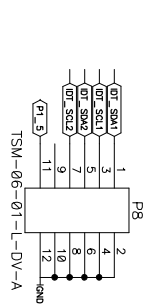
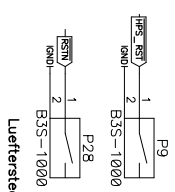
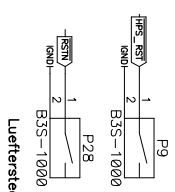
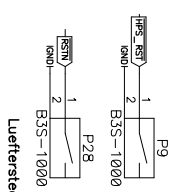
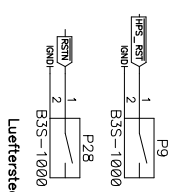
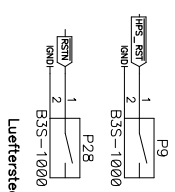
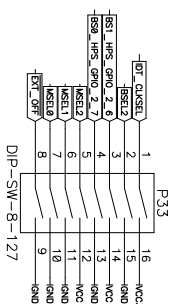
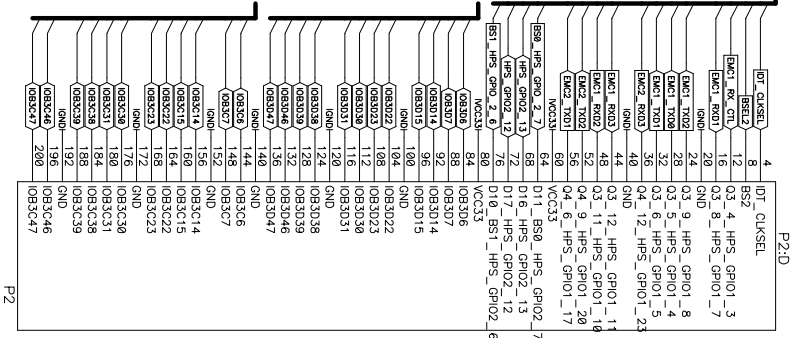
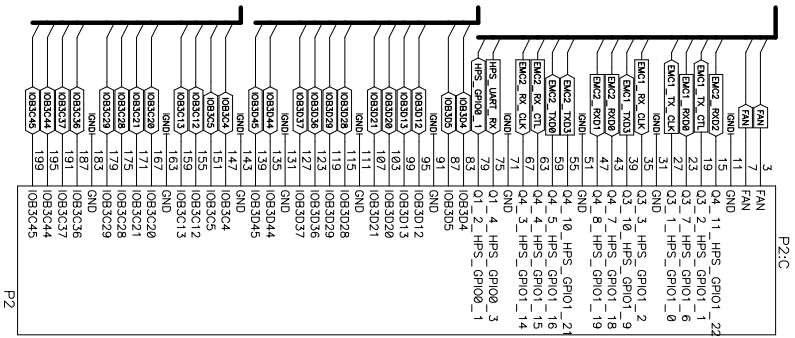
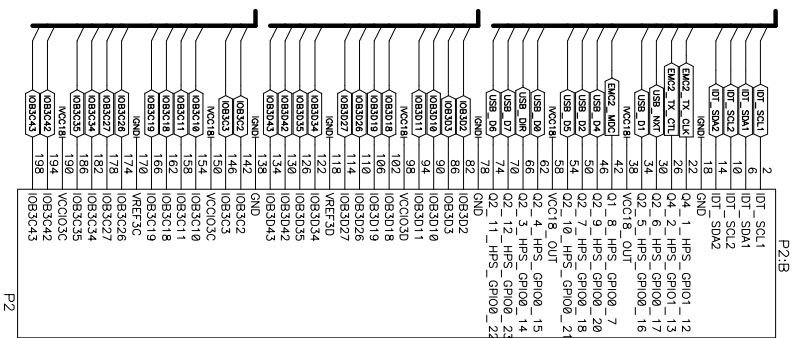
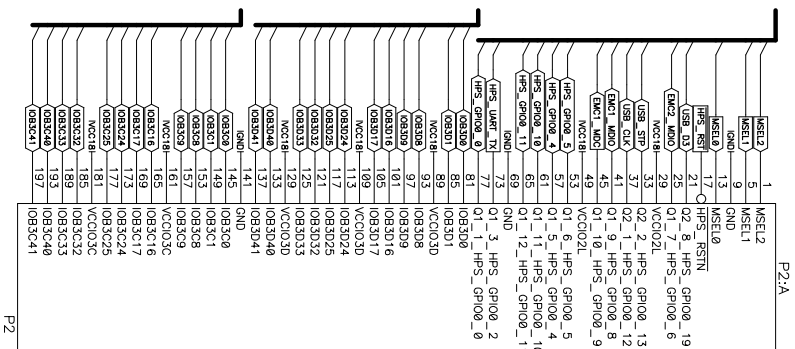


| Pin | Label | Value |
|------|-------------|-------|
| P1:A | EXT_OFF_ACK | GND |
| P1:B | EXT_OFF_ACK | GND |
| P1:C | EXT_OFF_ACK | GND |
| P1:D | EXT_OFF_ACK | GND |
| P1:E | EXT_OFF_ACK | GND |
| P1:F | EXT_OFF_ACK | GND |
| P1:G | EXT_OFF_ACK | GND |
| P1:H | EXT_OFF_ACK | GND |
| P1:I | EXT_OFF_ACK | GND |

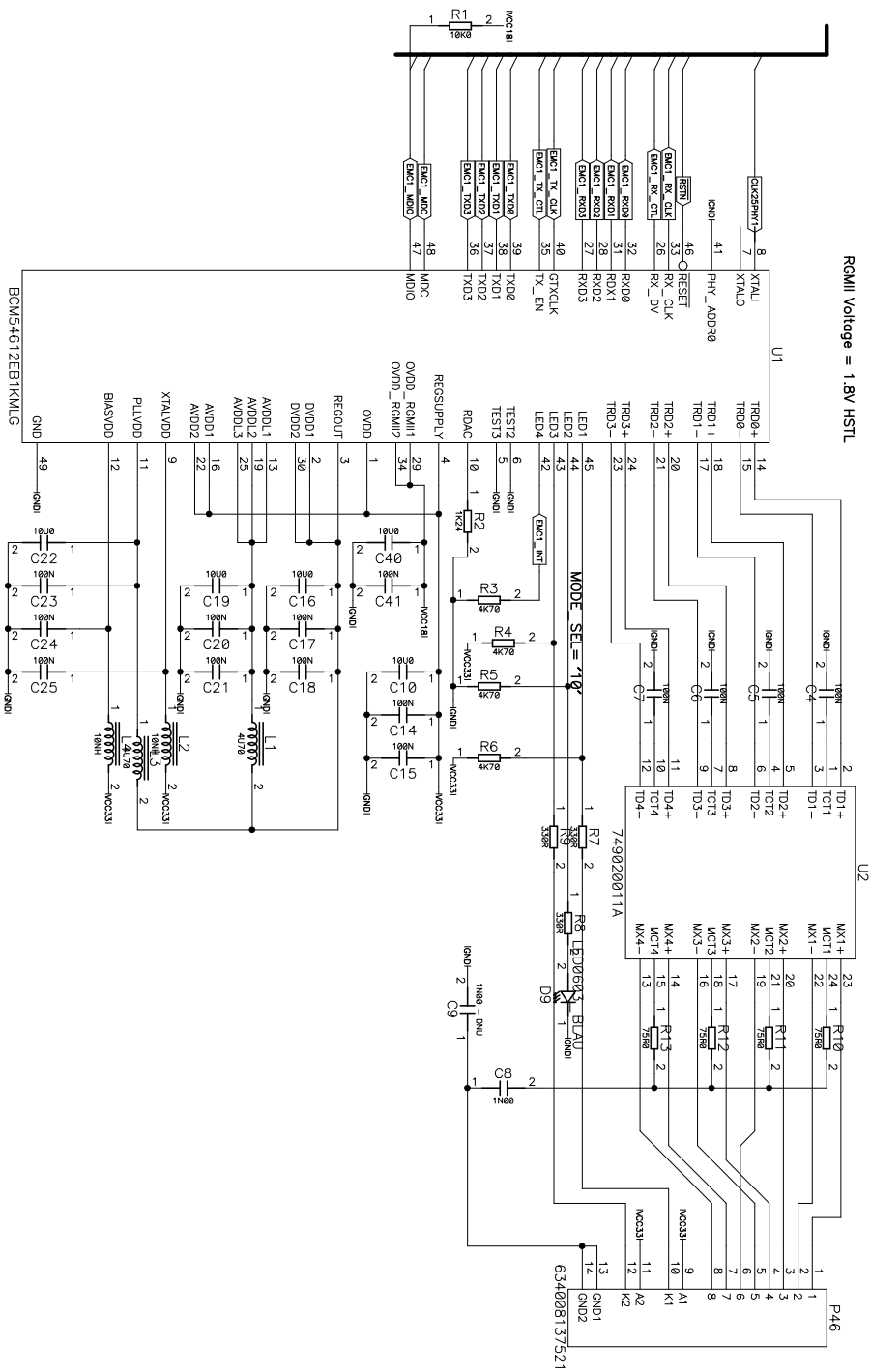


| Pin | Label | Value |
|------|-------------|-------|
| P1:A | EXT_OFF_ACK | GND |
| P1:B | EXT_OFF_ACK | GND |
| P1:C | EXT_OFF_ACK | GND |
| P1:D | EXT_OFF_ACK | GND |
| P1:E | EXT_OFF_ACK | GND |
| P1:F | EXT_OFF_ACK | GND |
| P1:G | EXT_OFF_ACK | GND |
| P1:H | EXT_OFF_ACK | GND |
| P1:I | EXT_OFF_ACK | GND |

| | |
|----------|------------|
| Title | |
| Size | A3 |
| Number | 1.1 |
| Date | 03.06.2018 |
| Filename | |
| Drawn by | |
| Sheet | 1 of 10 |



| | | | |
|-----------------|--|---------------|--|
| Title | | Rev | |
| Size A3 | | 1,1 | |
| Date 03.06.2018 | | Drawn by | |
| Filename | | Sheet 2 of 10 | |



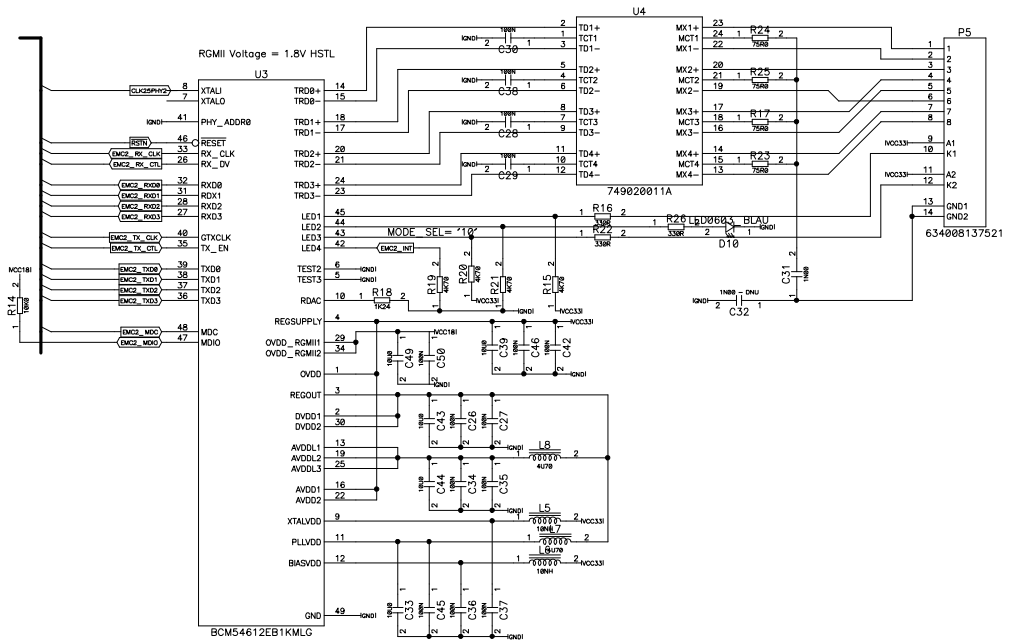
| | | | |
|----------|------------|----------|-------|
| Title | | | |
| Size | Number | | |
| A3 | | | |
| Date | 03.06.2018 | Drawn by | |
| Filename | | Sheet 3 | of 10 |

A

B

C

D



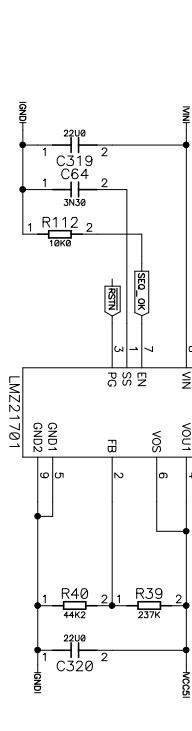
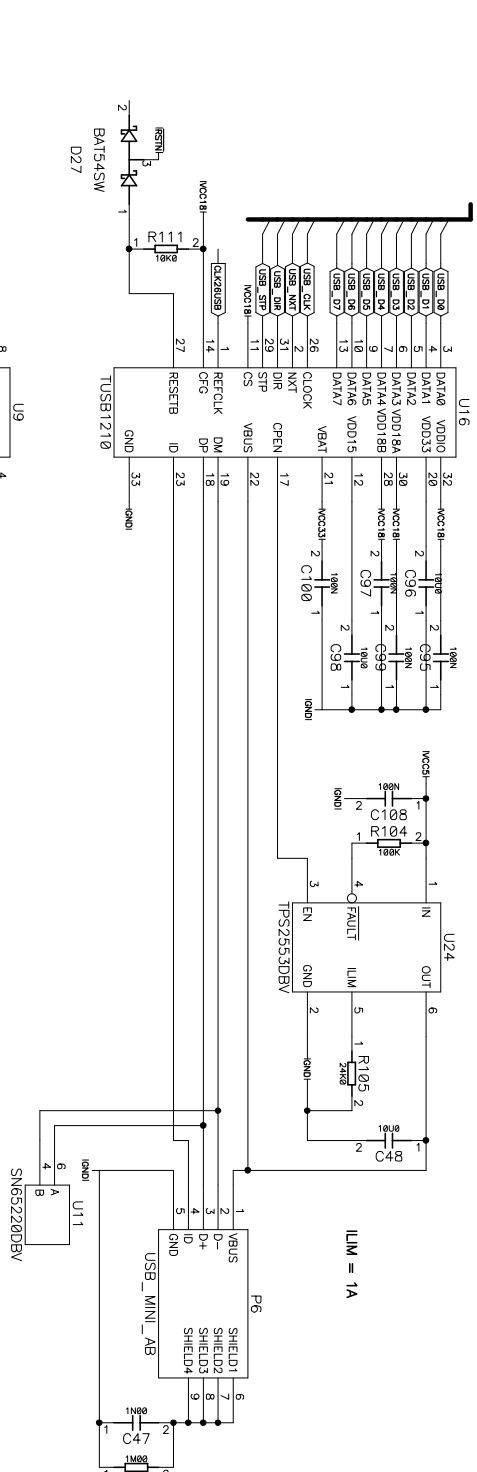
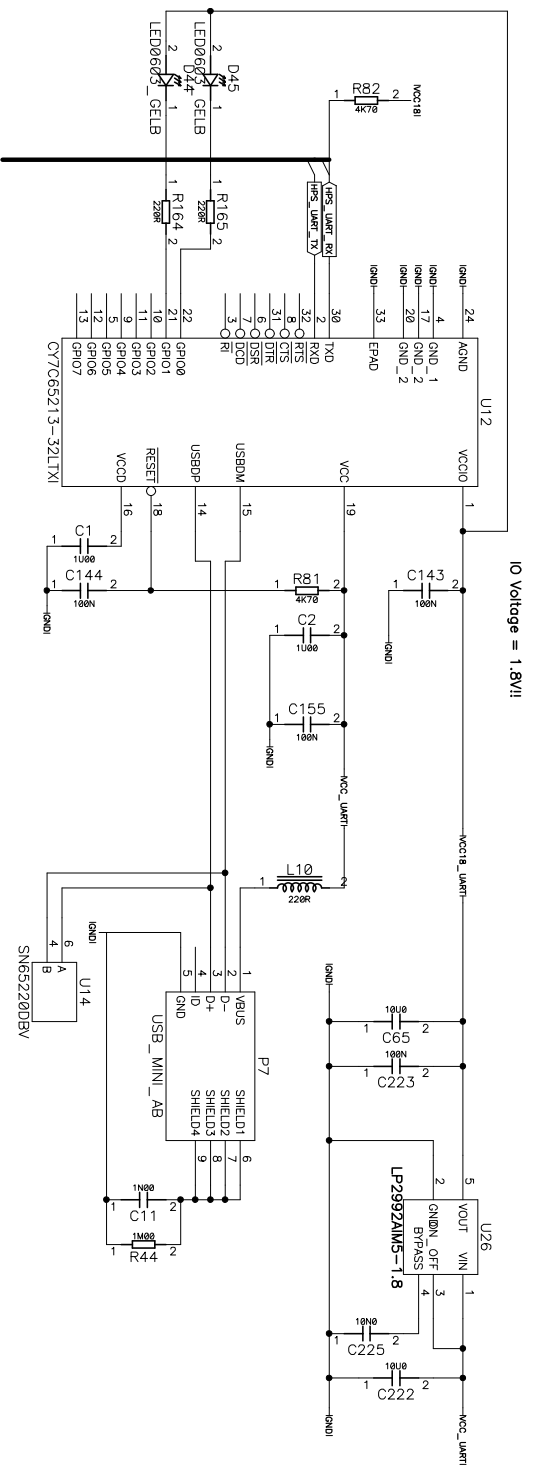
| | | |
|----------|------------|---------------|
| Title | | |
| Size | Number | Rev |
| A3 | | 1.1 |
| Date | 03.06.2018 | Drawn by |
| Filename | | Sheet 4 of 10 |

A

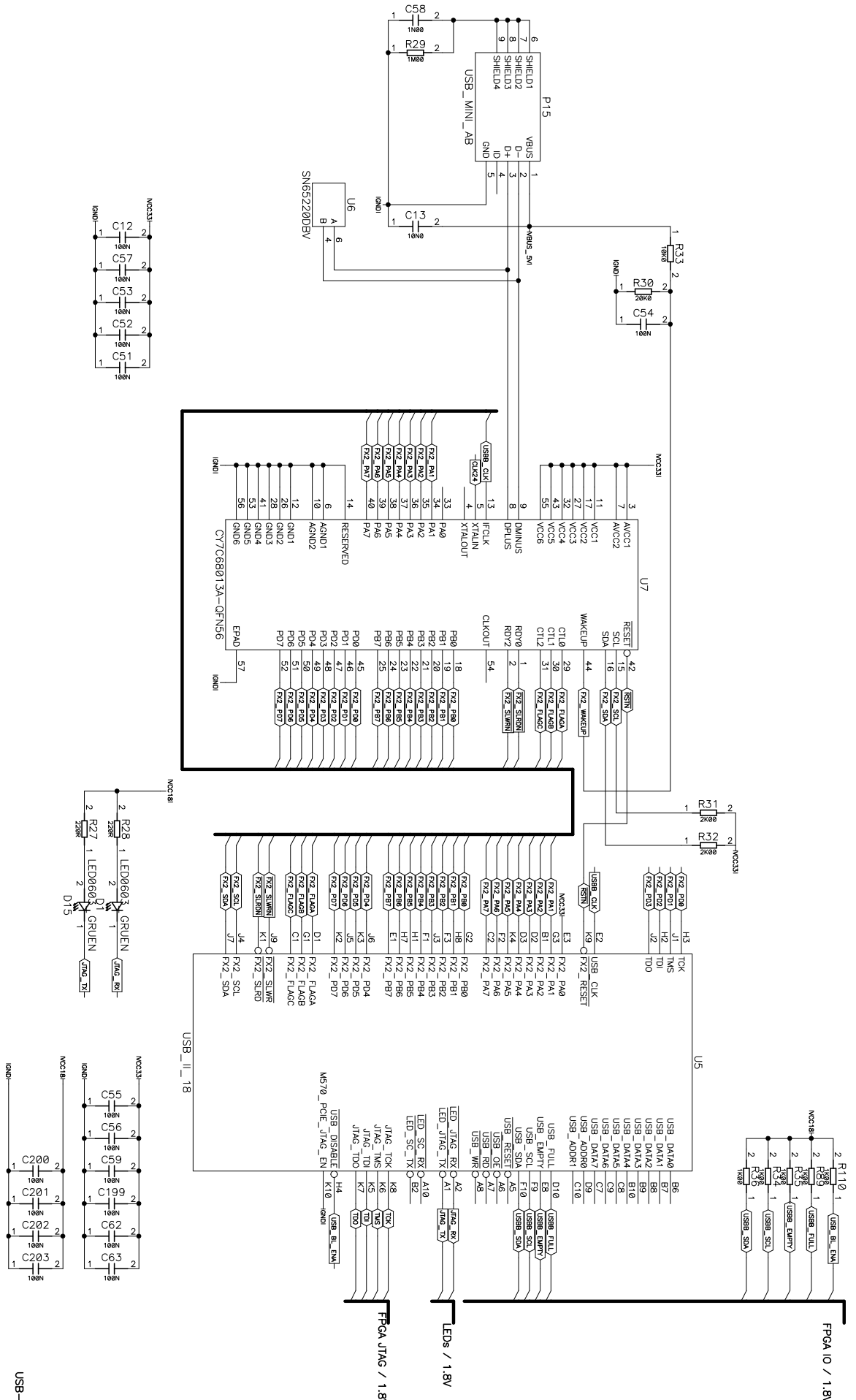
B

C

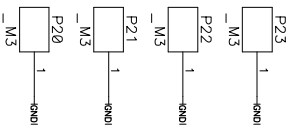
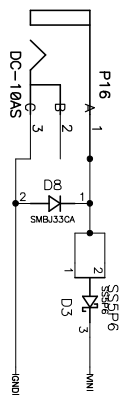
D



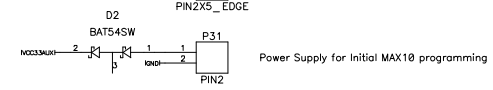
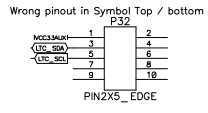
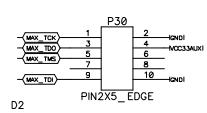
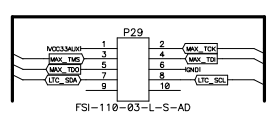
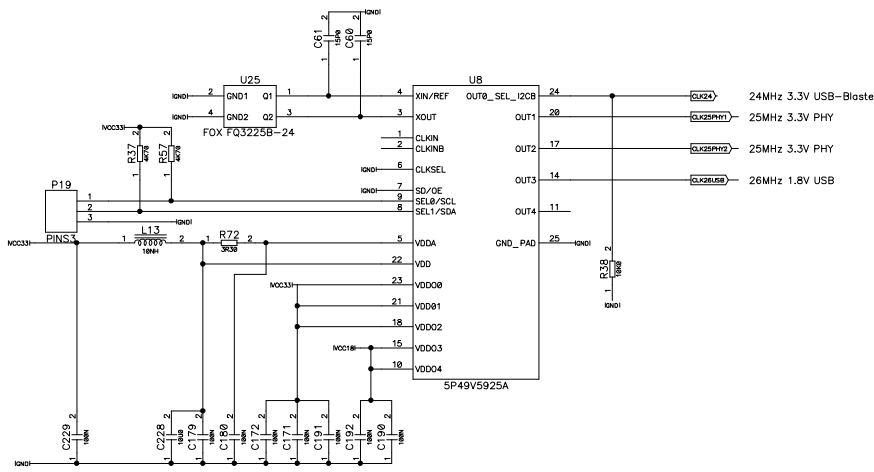
| | | | |
|-----------------|--------|---------------|--|
| Title | | Rev | |
| Size | Number | 1.1 | |
| Date 03.06.2018 | | Drawn by | |
| Filename | | Sheet 5 of 10 | |



| | | |
|----------|---------------|-----|
| Title | | |
| Size | Number | Rev |
| A3 | | 1.1 |
| Date | 03.06.2018 | |
| Filename | Drawn by | |
| | Sheet 7 of 10 | |



| Title | | |
|------------|---------------|-----|
| Size | Number | Rev |
| A3 | | 1.1 |
| Date | Drawn by | |
| 03.06.2018 | | |
| Filename | Sheet 8 of 10 | |



Power Supply for Initial MAX10 programming

| | | |
|--------------------|----------------|------------|
| Title | | |
| Size A3 | Number | Rev 1.1 |
| Date 03.06.2018 | Drawn by | |
| Filename | Sheet 10 of 10 | |