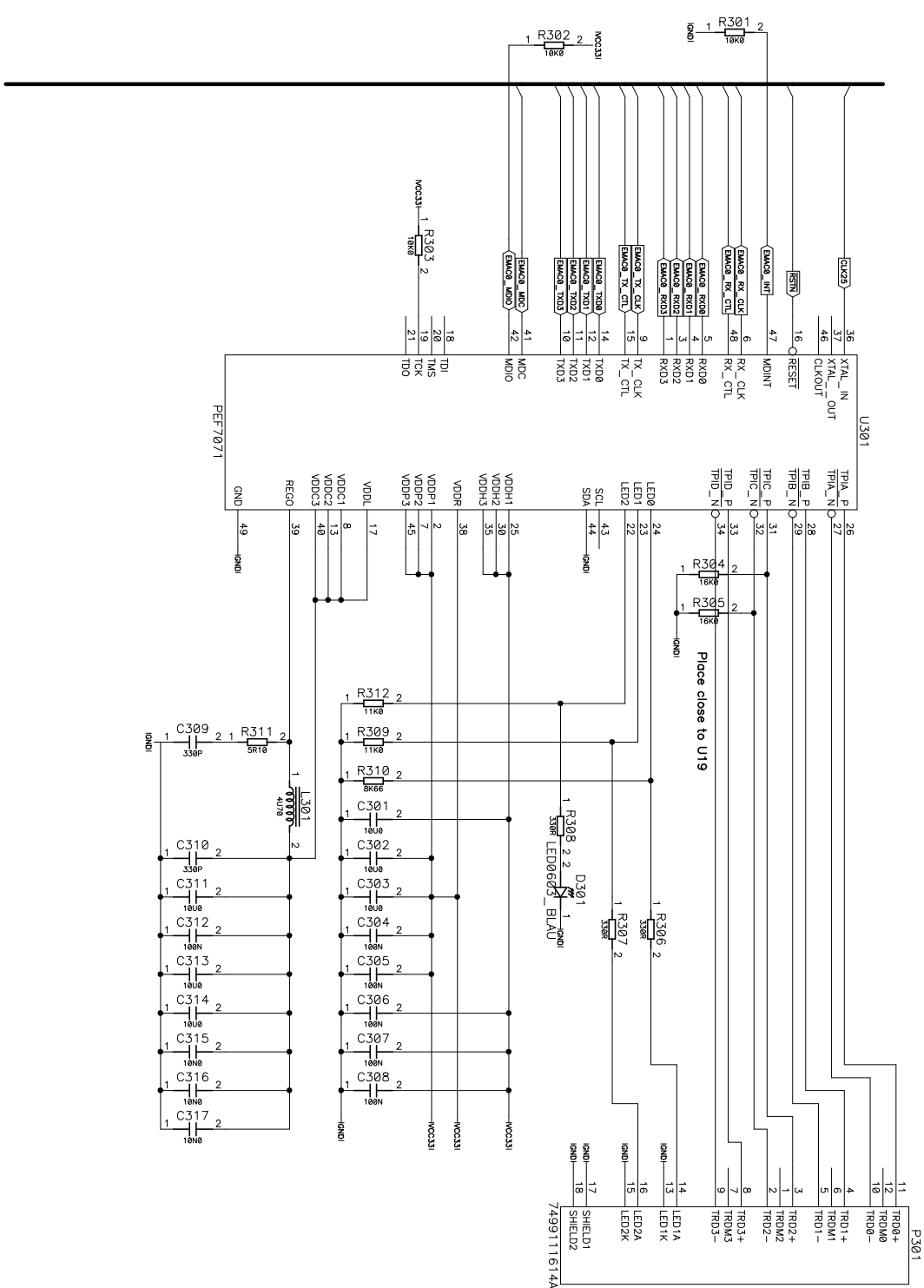


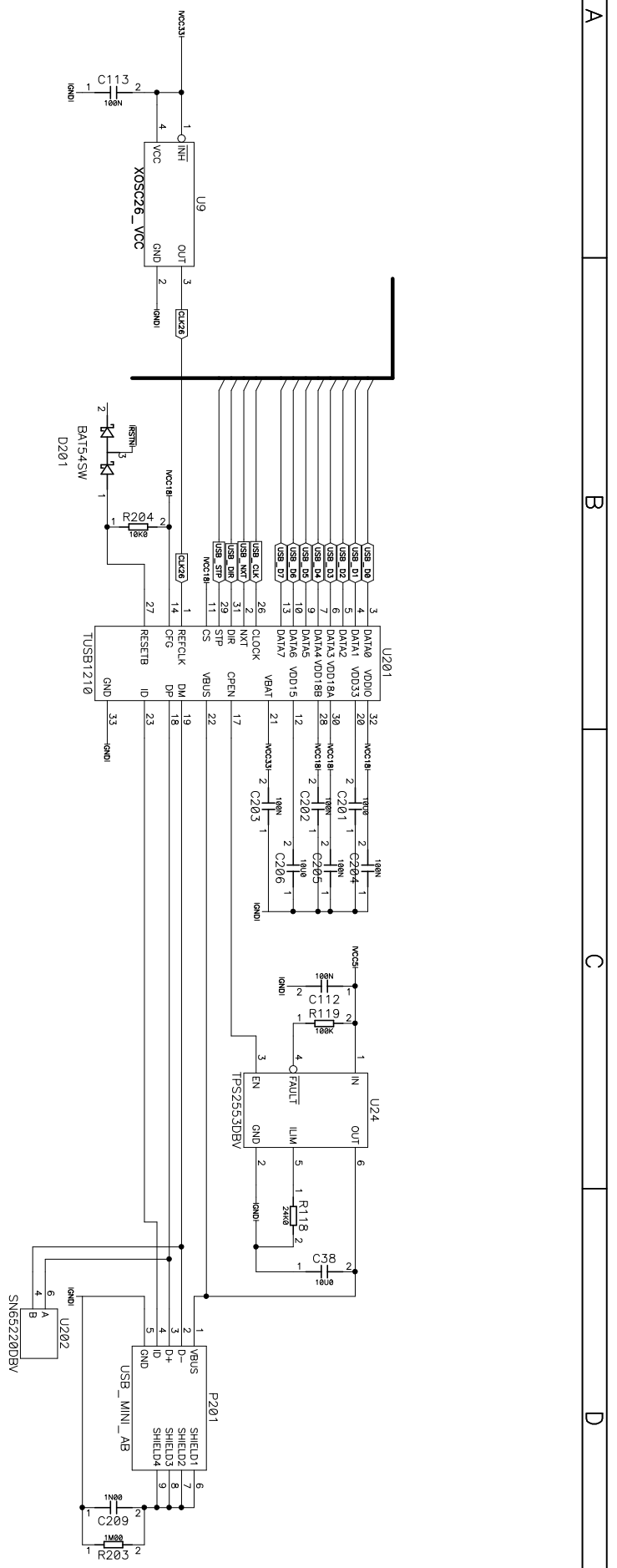
Title		DBM SoC GXBaseboard	
Size	Number	Rev	
A3	MCVEVK	3.0	
Date	Drawn by		
10.11.2014	1		
Filename	Sheet		
DBM-SoC-DHX-Base1	1		

UART / CAN



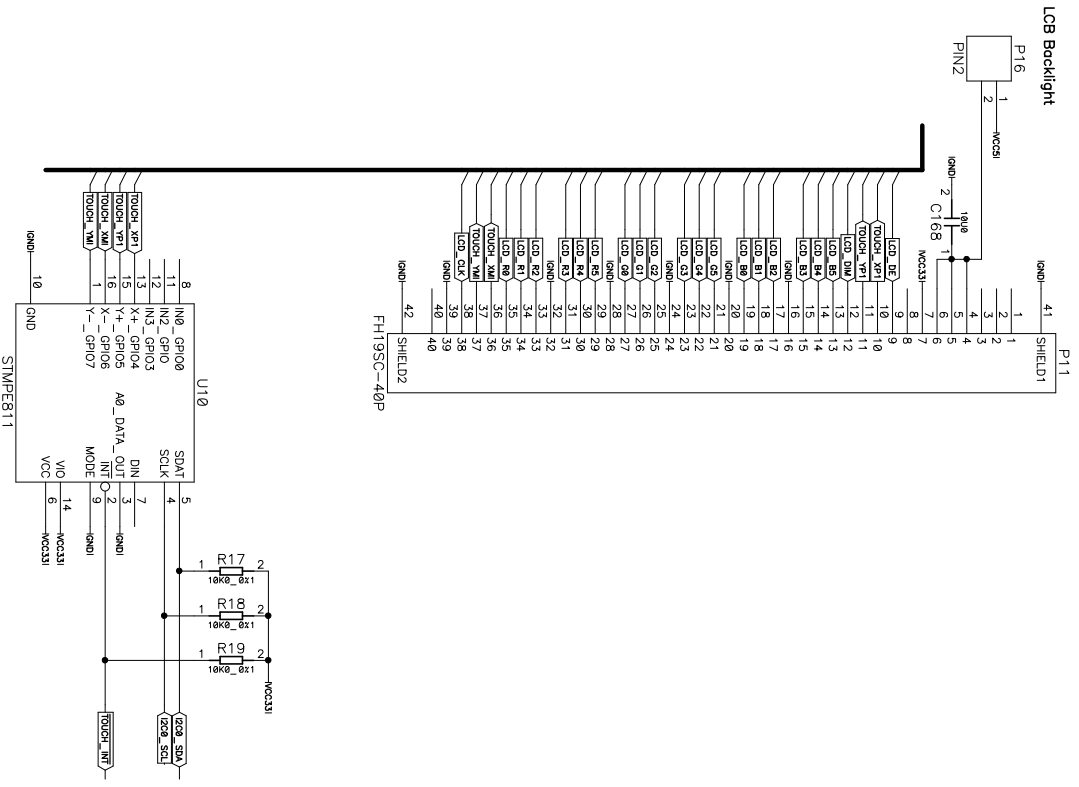
HPS Gigabit Ethernet Phy

Title		DBM Soc GXBasesboard	
Size	Number	Rev	
A3	MCVEVK	3.0	
Date	Drawn by		
10.11.2014			
Filename		DBM-Soc-Dlx-Baset_Sheet 2	
		of 7	



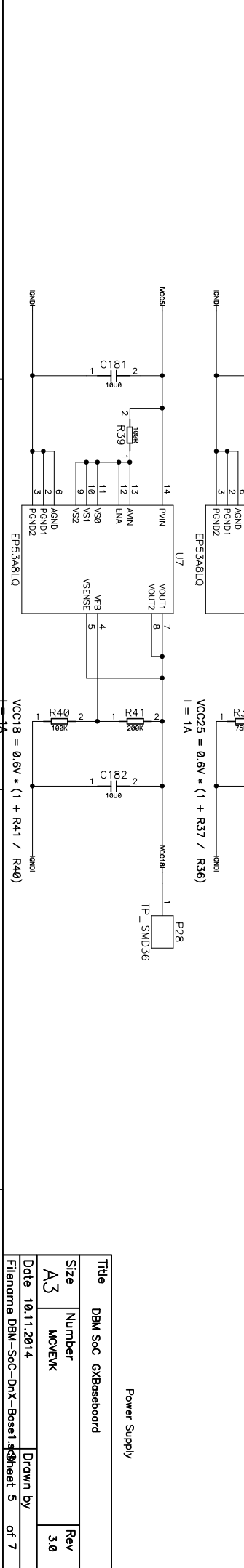
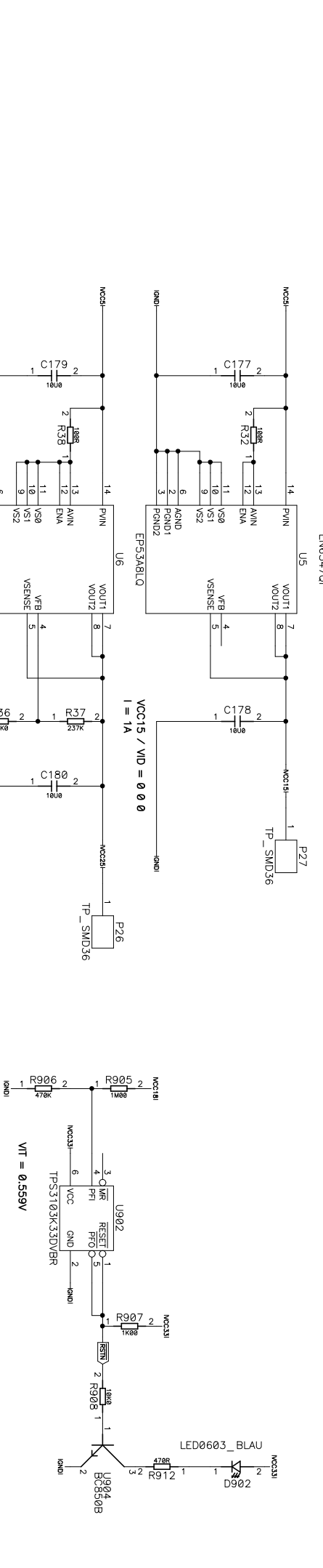
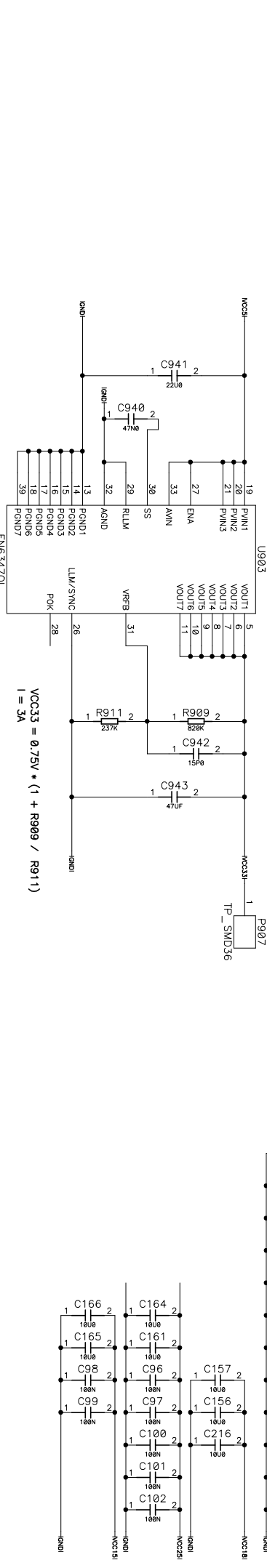
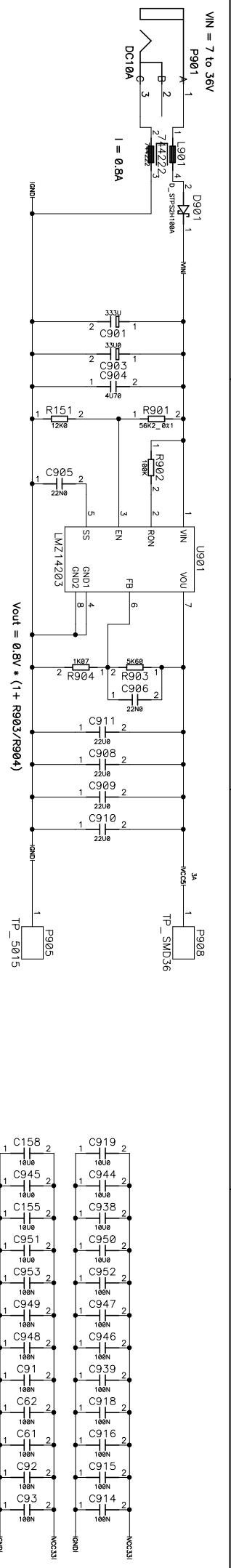
HPS - USB Interface

Title		DBM Soc GXBaseboard	
Size	Number		Rev
A3	MCVEVK		3.0
Date	Drawn by		
10.11.2014			
Filename		DBM-Soc-Dnx-Base1_Sheet 3	
		of 7	

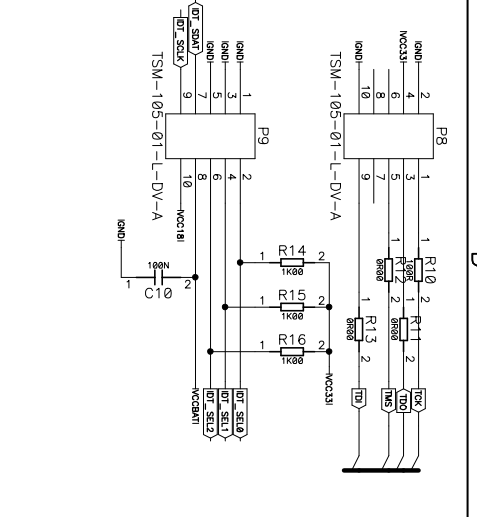
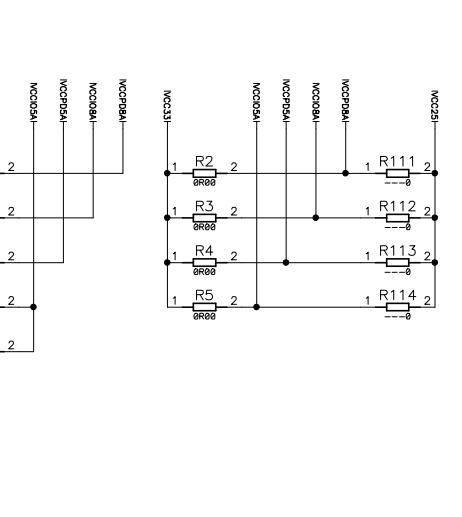
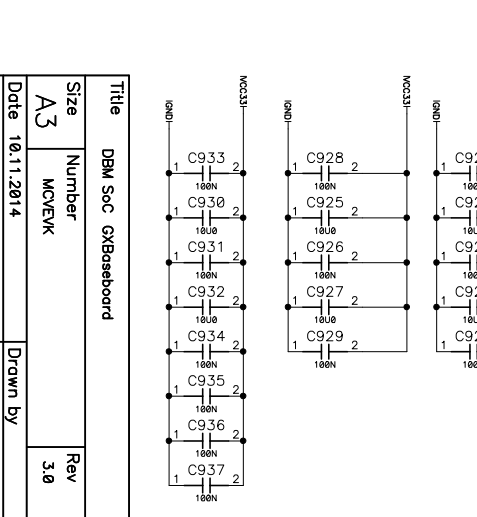
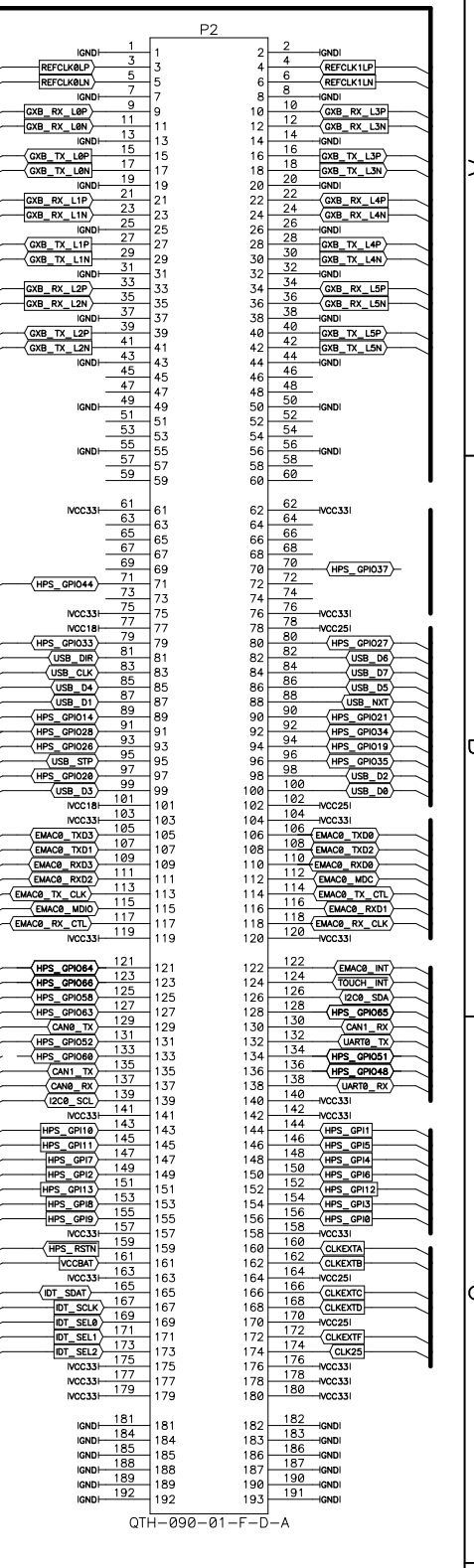
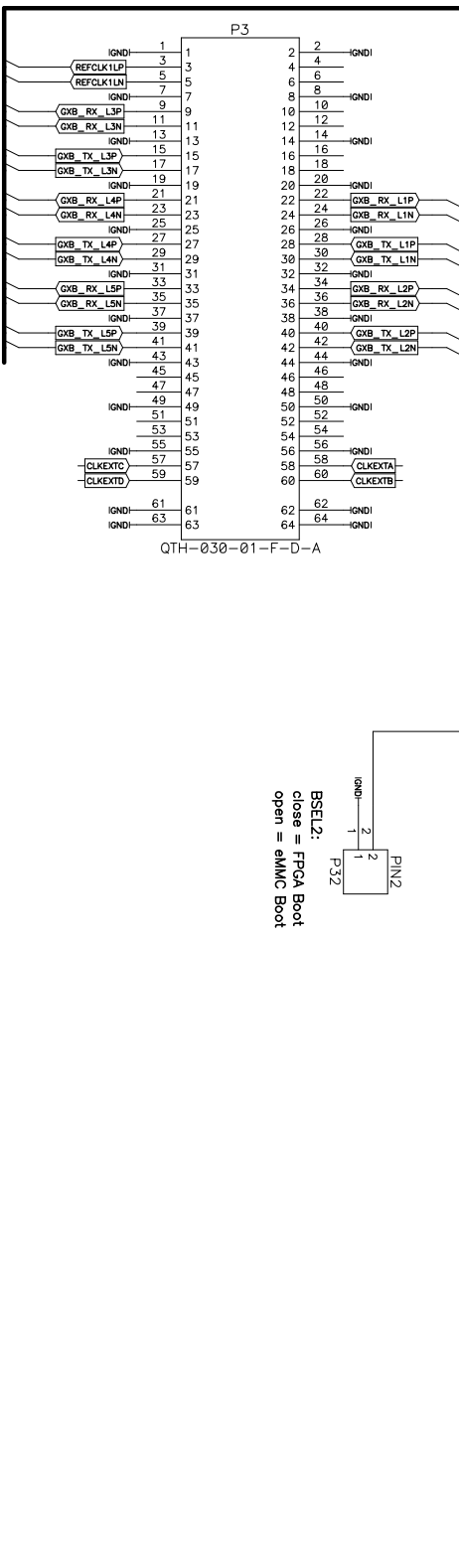
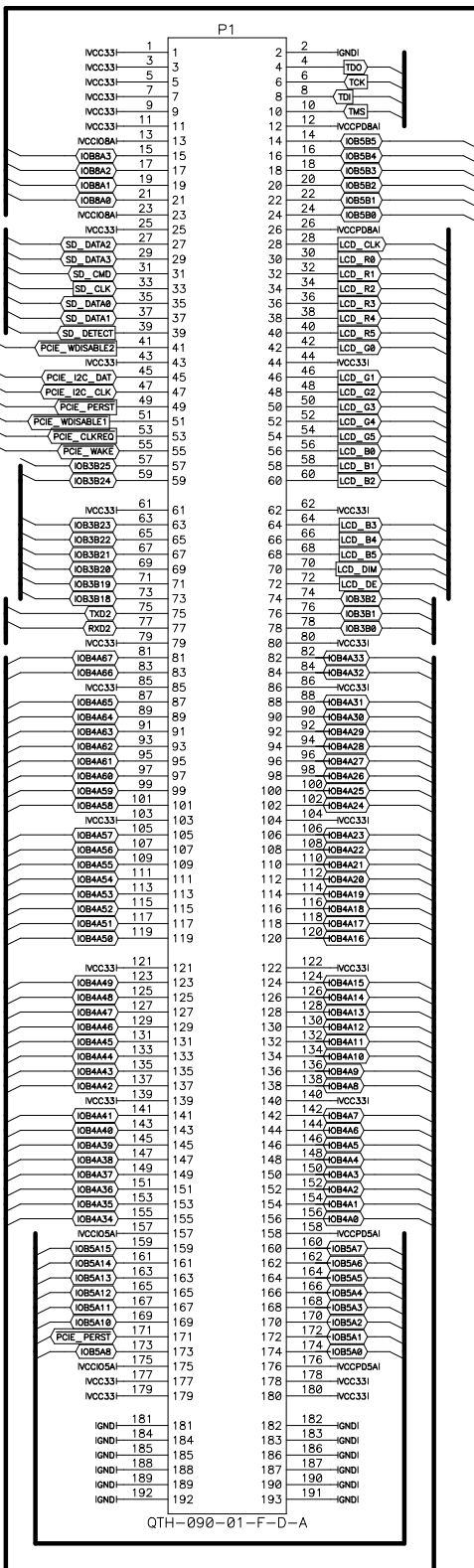


TFT Interface + Touch

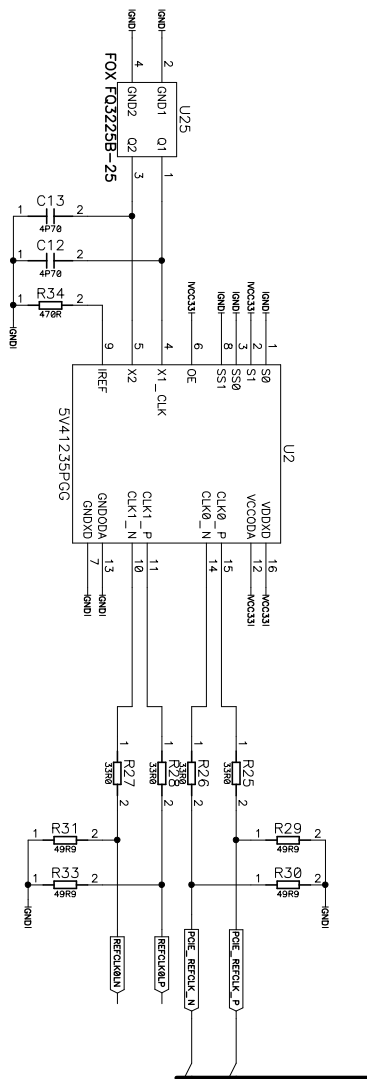
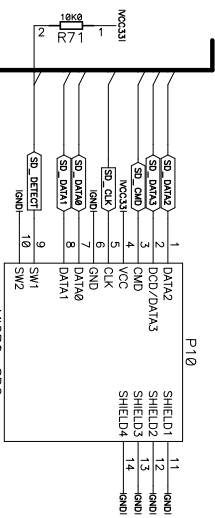
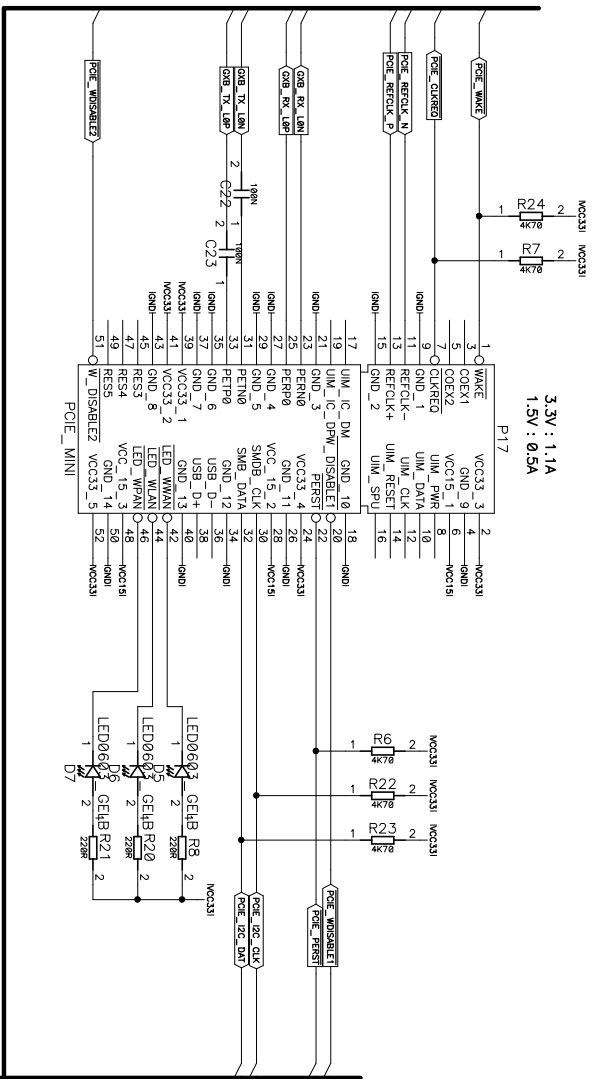
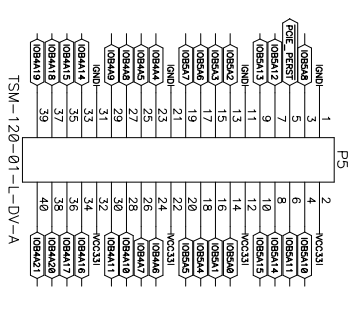
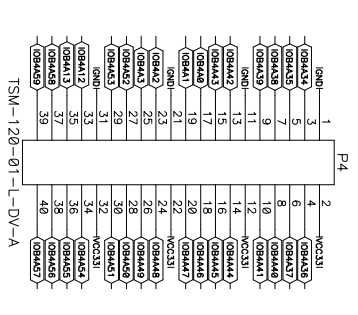
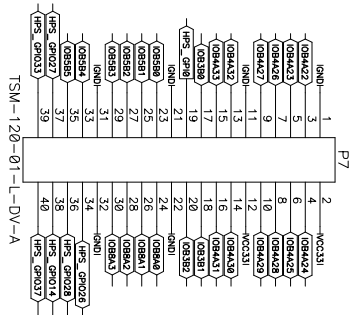
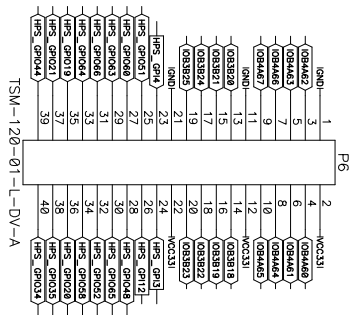
Title		DBM Soc GXBaseboard	
Size	Number	Rev	
A3	MCVEVK	3.0	
Date	10.11.2014	Drawn by	
Filename	DBM-Soc-Drx-Base1	Sheet 4 of 7	



Title		DBM Soc GXBbaseboard	
Size	Number	Rev	
A3	MCEVK	3.0	
Date	Drawn by		
10.11.2014			
Filename		DBM-Soc-Dnx-Base1_Sheet 5	
		of 7	



Title: DBM SOC GXBaseboard
 Size: A3
 Number: MCEVK
 Date: 10.11.2014
 File name: DBM-Soc-Dlx-Base1 Sheet 6
 Drawn by: [Name]
 Rev: 3.0
 of 7



PCIe, Pinheader, SD Card, Clock

Title	DBM Soc GxBaseboard	
Size	Number	Rev
A3	MCEVK	3.0
Date	10.11.2014	
Filename	DBM-Soc-Dlx-Base1	
	Drawn by	Sheet 7 of 7